



ELECTRICAL AND DATA CABLE INSTALLATION

for

Washington Metropolitan Area Transit Authority

Contract Number FQ17021

VOLUME 3

**Drawings Part 3a
Small Kiosk**

November 13, 2016

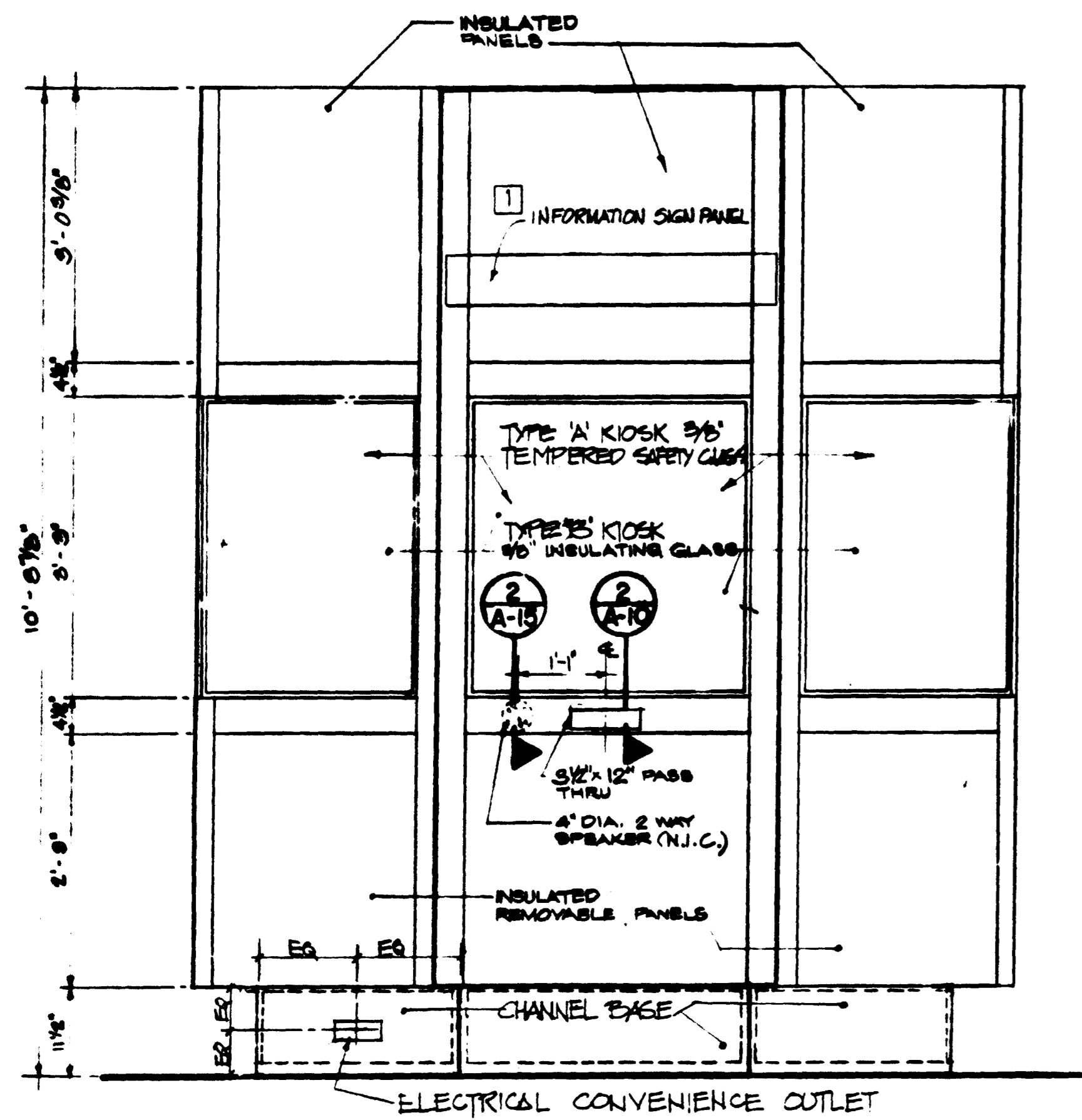
Final Submission

WASHINGTON METROPOLITAN AREA TRANSIT AUTHORITY

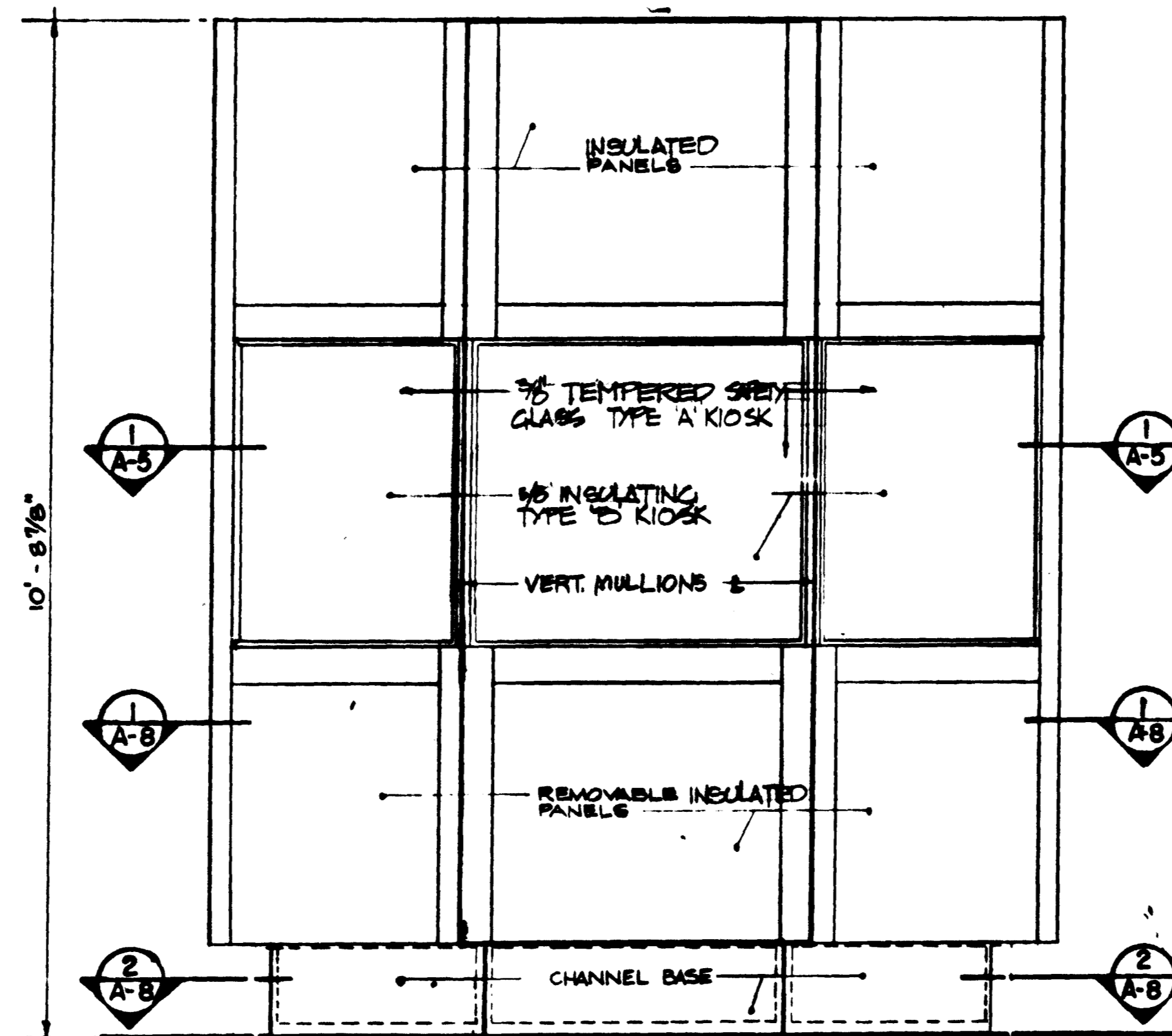
**VOLUME 3
DRAWINGS PART 3A
SMALL KIOSK
TABLE OF CONTENTS**

PAGE NO.

1	KIOSK – FLOOR AND REFLECTED CEILING PLANS	3
2	KIOSK – ELEVATIONS	4
3	KIOSK – ROOF PLANS	5
4	KIOSK – PLAN AT BASE AND BELOW WINDOW	6
5	KIOSK – SECTIONS	7
6	KIOSK – DOOR SECTIONS AND DETAILS	8
7	KIOSK – WALL SECTIONS	9
8	KIOSK – FLOOR & BASE DETAILS	10
9	KIOSK – ROOF DETAILS FOR TYPE “B” KIOSKS	11
10	KIOSK – ROOF DETAILS FOR TYPE “A” KIOSKS	12
11	KIOSK – MISCELLANEOUS DETAILS	13
12	KIOSK – PLANS AND ELEVATIONS	14
13	KIOSK – SECTIONS AND DETAILS	15
14	KIOSK – STRUCTURAL NOTES AND SECTIONS	16
15	KIOSK – FLOOR & ROOF PLANS AND SECTIONS	17

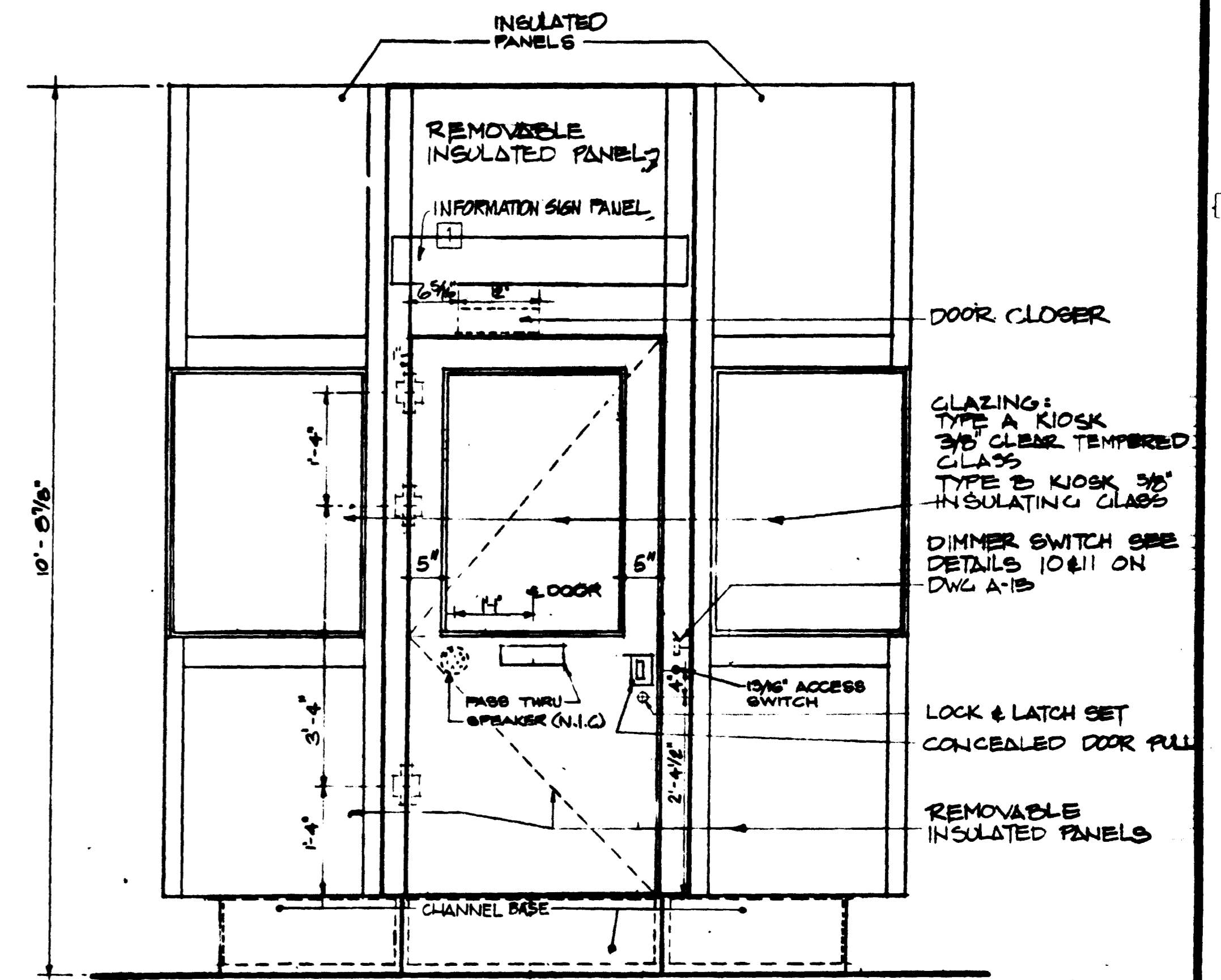


ELEVATION A



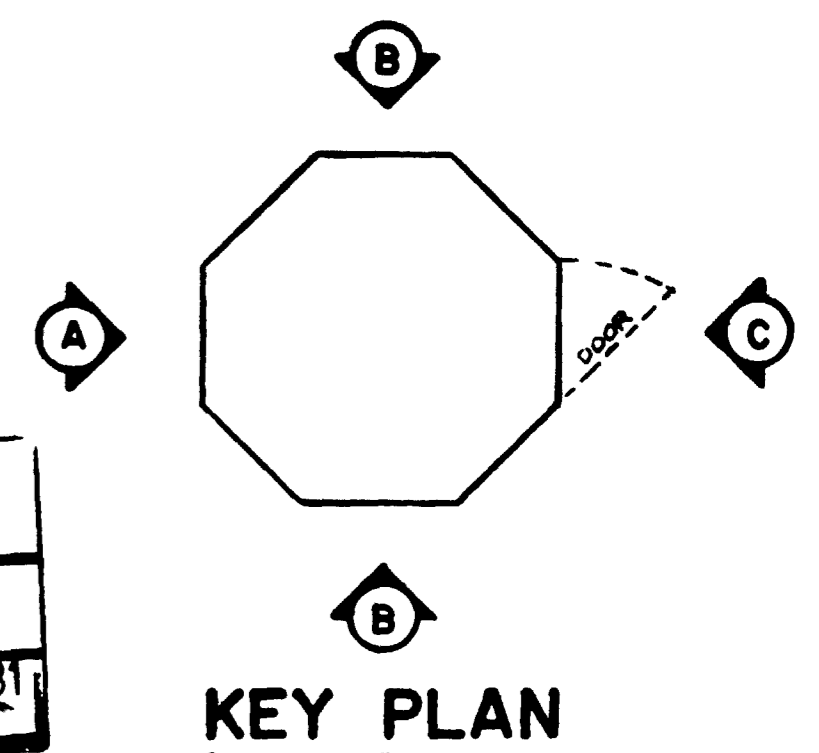
ELEVATION B

(OPPOSITE FACE - THE SAME)
 NOTE:
 VERTICAL MULLIONS OMITTED
 TYPE 'A' KIOSK.

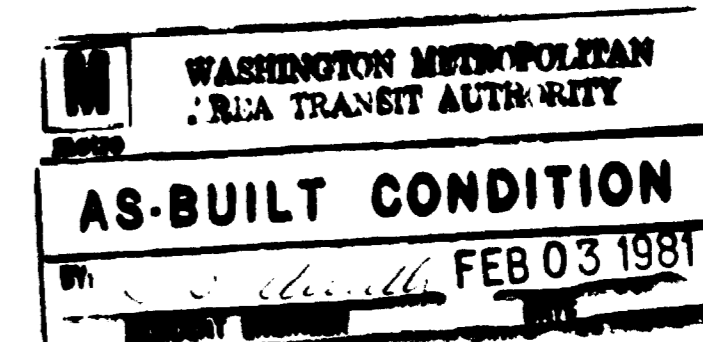


ELEVATION C

NOTE:
 FOR DOOR DETAILS,
 SEE DWG. # A-10



KEY PLAN



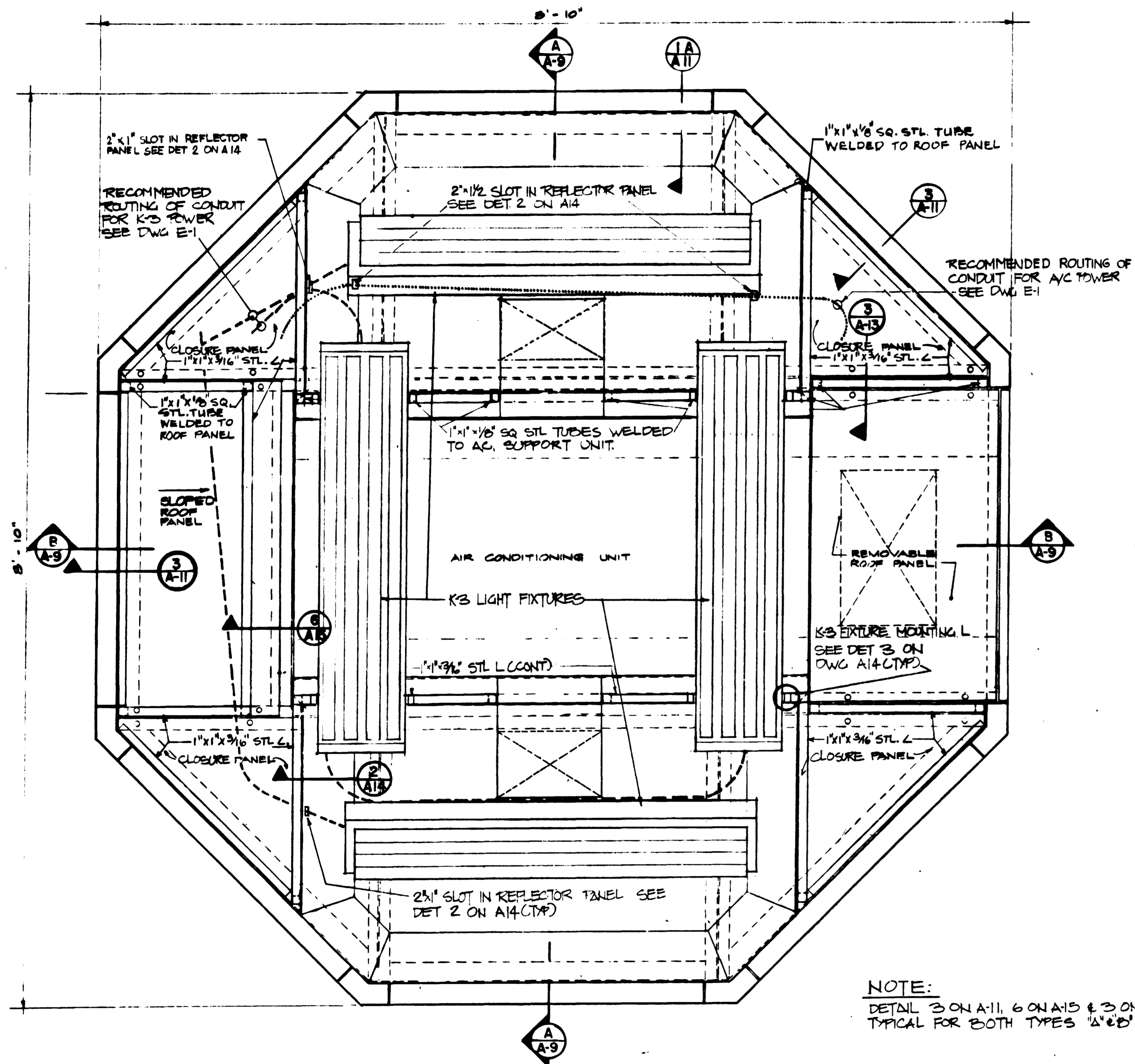
DESIGNED	HWA	3-21-74
DRAWN	R.M.R.	2-10-75
CHECKED	[Signature]	4/13/76
APPROVED	[Signature]	4/13/76

REFERENCE DRAWINGS		REVISIONS		
NUMBER	DESCRIPTION	DATE	BY	DESCRIPTION
		1-5-81	BAB	REV PER FIELD COND., AS-BUILT.

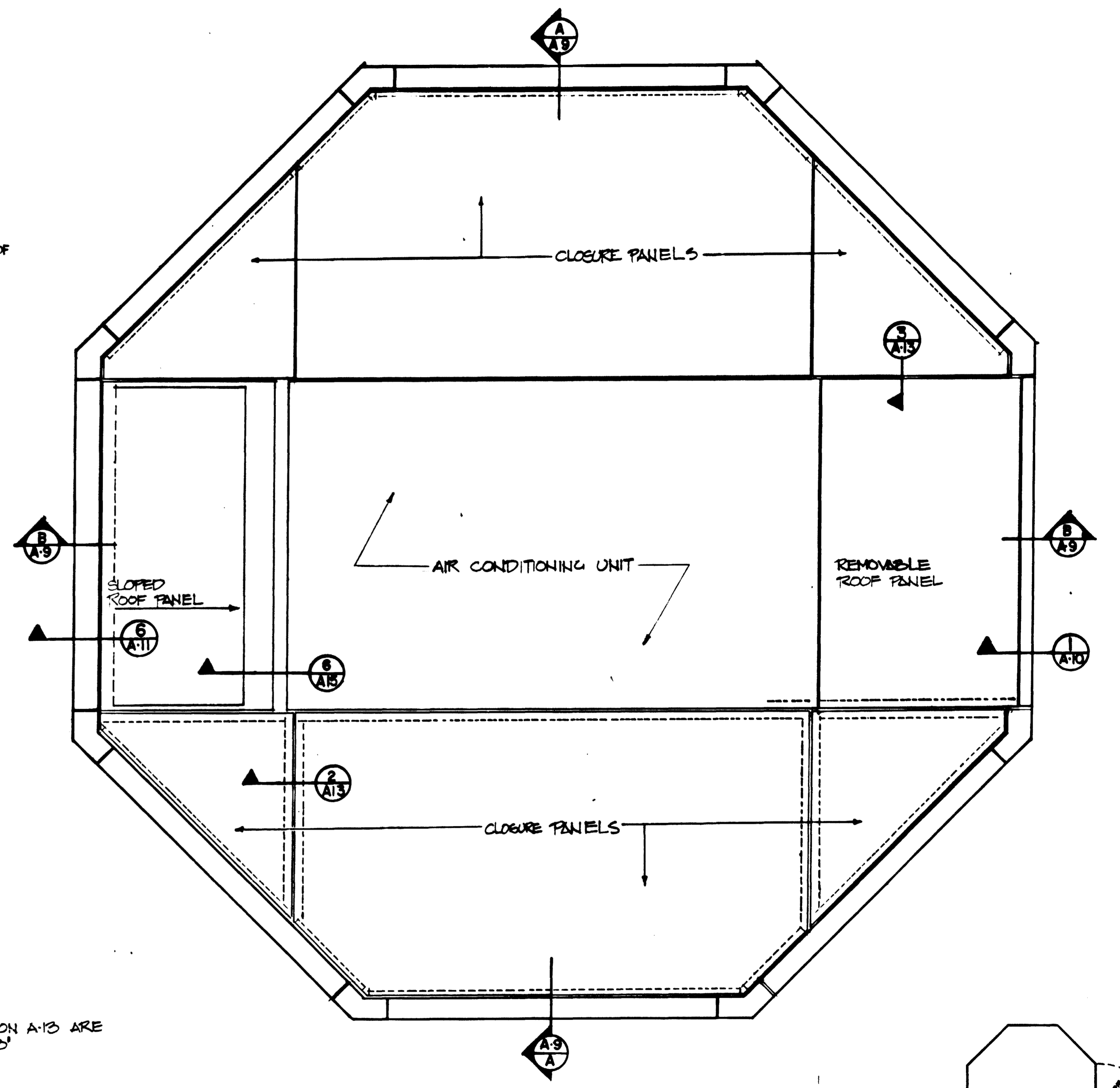
STANLEY N. ALLAN
 DIST. OF COLUMBIA
 CERTIFICATE
 No. A-2077

WASHINGTON METROPOLITAN AREA TRANSIT AUTHORITY
HARRY WEESE & ASSOCIATES
 GENERAL ARCHITECTURAL CONSULTANT
 SUBMITTED *Stanley Allan* 4/15/76

KIOSK ELEVATIONS
 SCALE 3/4" = 1'-0"
 DRAWING NO. K III - A6
 M-256-7

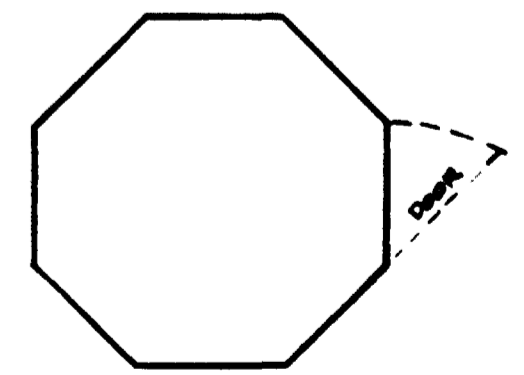
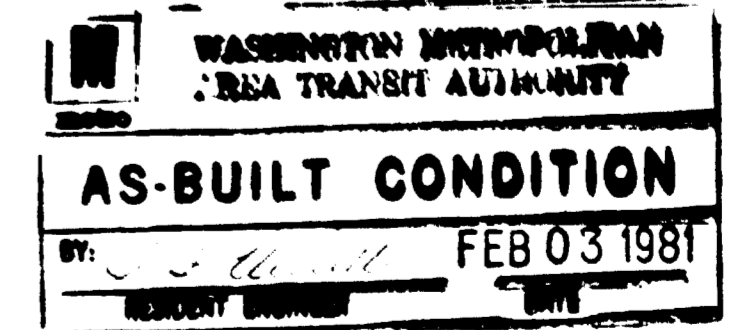


1 ROOF PLAN TYPE A



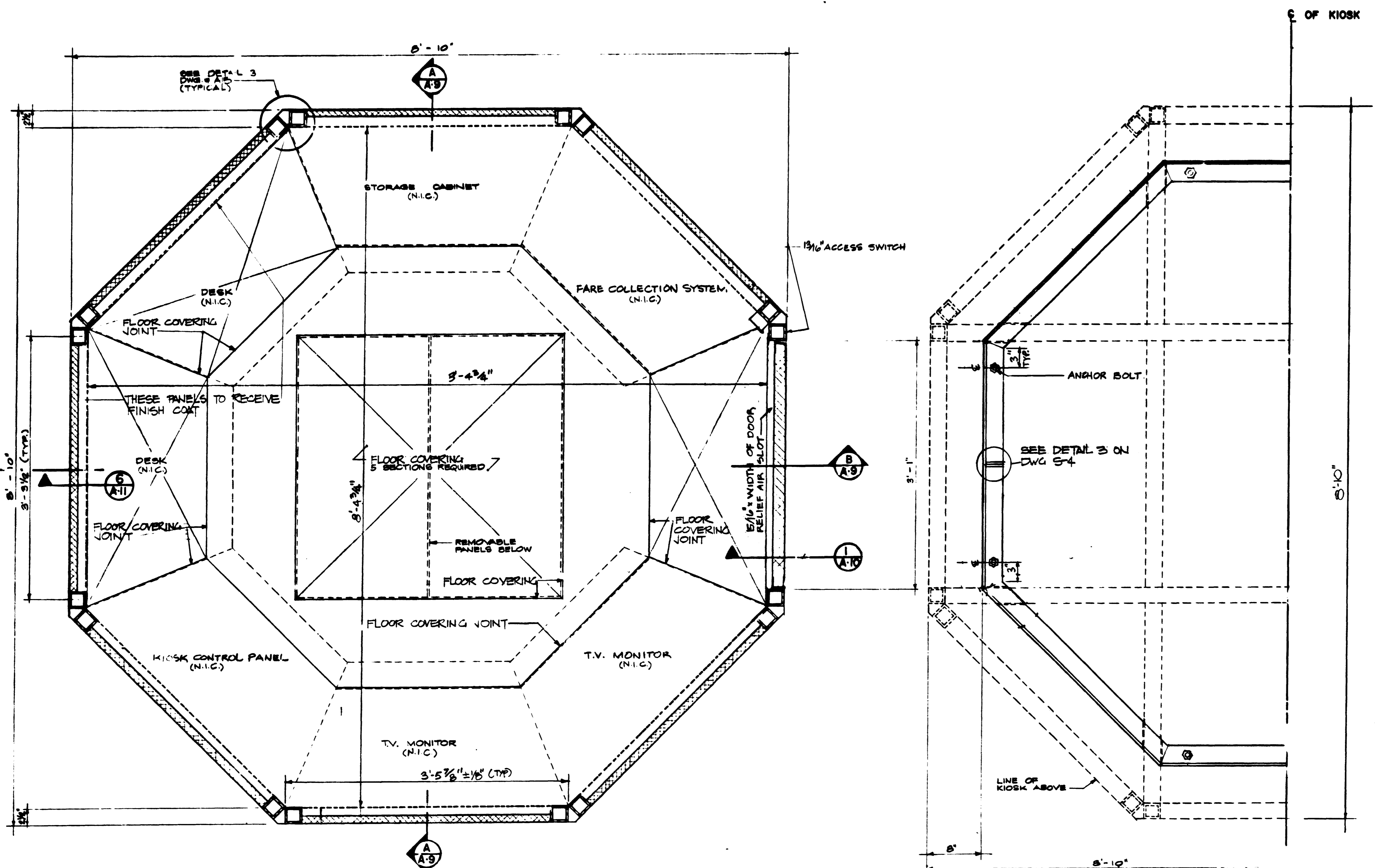
2 ROOF PLAN TYPE B

NOTE:
 DETAIL 3 ON A-11, 6 ON A-15 & 3 ON A-13 ARE
 TYPICAL FOR BOTH TYPES 'A' & 'B'



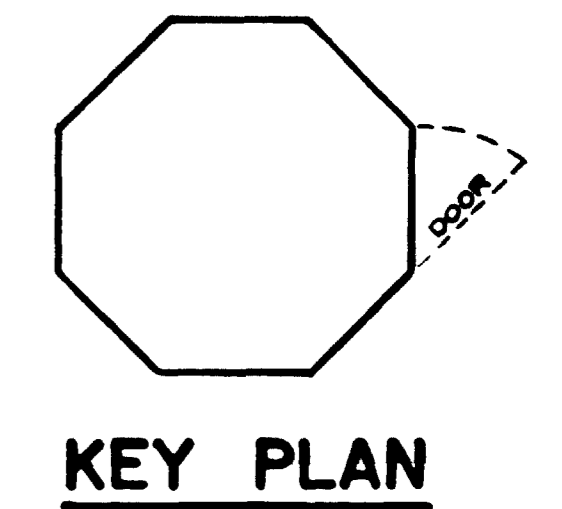
KEY PLAN

DESIGNED HWA 3-25-74 DATE	REFERENCE DRAWINGS	REVISIONS	WASHINGTON METROPOLITAN AREA TRANSIT AUTHORITY		KIOSK ROOF PLANS
DRAWN RMR 2-10-76 DATE	NUMBER DESCRIPTION DATE BY DESCRIPTION		HARRY WEESE & ASSOCIATES GENERAL ARCHITECTURAL CONSULTANT		
CHECKED [Signature] 4-13-76 DATE			DE LEUW, CATHER & COMPANY GENERAL ENGINEERING CONSULTANT		
APPROVED [Signature] 4-13-76 DATE			HARRY WEESE & ASSOCIATES GENERAL ARCHITECTURAL CONSULTANT		
			STANLEY N. ALLAN DIST. OF COLUMBIA CERTIFICATE No. A-2077		
			SUBMITTED Stanley Allan 4/15/76		
			APPROVED Stanley Allan 4/15/76		
			SCALE 1/2" = 1'-0"		
			DRAWING NO. K-III-A7		
			M-256-B		



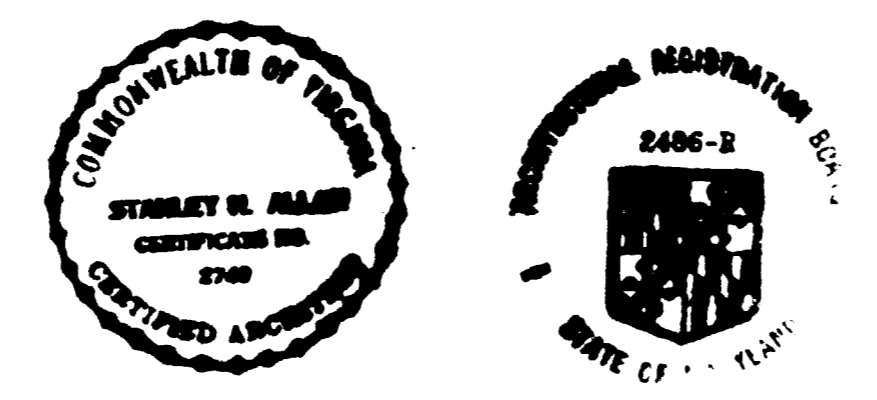
NOTE:
ELECT. CONVENIENCE OUTLET IS FURNISHED BY COMMUNICATION CONTRACTOR AS PART OF THE CABINETS.

WASHINGTON METROPOLITAN
AREA TRANSIT AUTHORITY
AS-BUILT CONDITION
FEB 03 1981



① PLAN BELOW SILL

② PLAN AT BASE



DESIGNED	HWA	3-25-74
DRAWN	RMR	4-8-76
CHECKED	JL	4-13-76
APPROVED	Stanley	4-13-76

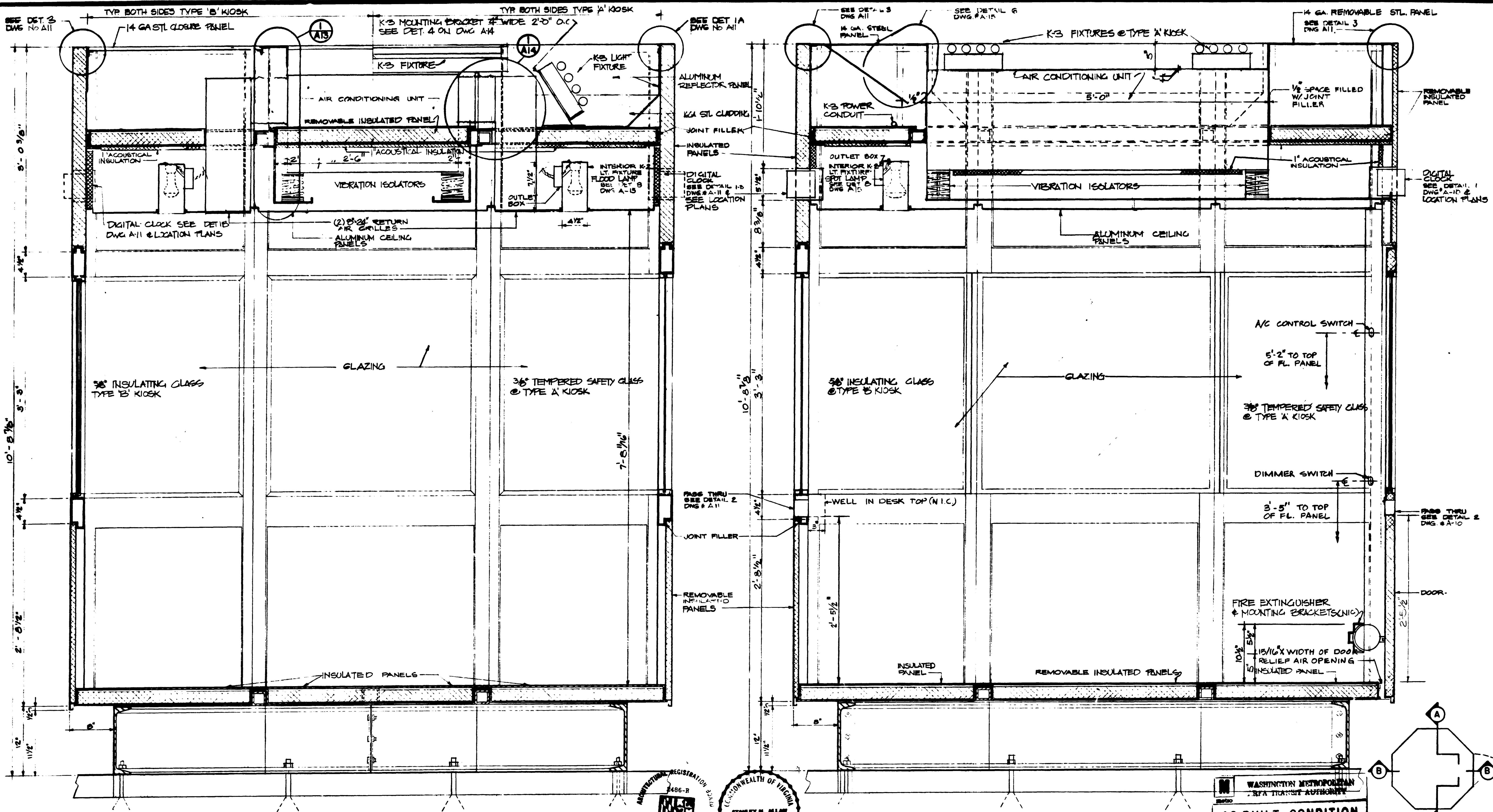
REFERENCE DRAWINGS	
NUMBER	DESCRIPTION

REVISIONS		
DATE	BY	DESCRIPTION

STANLEY N. ALLAN
DIST. OF COLUMBIA
CERTIFICATE
No. A-2077

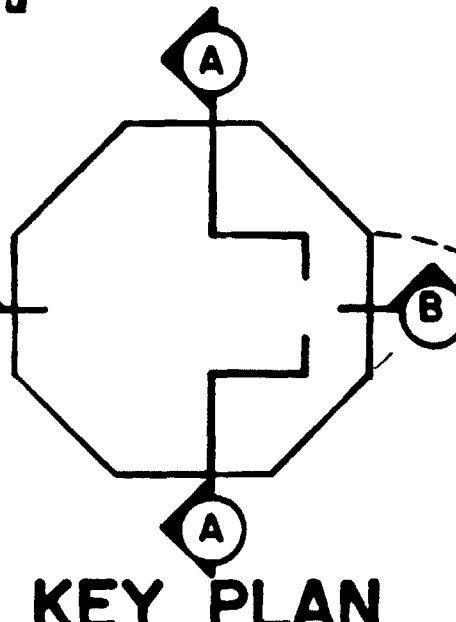
WASHINGTON METROPOLITAN AREA TRANSIT AUTHORITY
HARRY WESE & ASSOCIATES
GENERAL ARCHITECTURAL CONSULTANTS
SUBMITTED *Stanley Allan* 4/13/76
DE LEUW, CATHAR & COMPANY
GENERAL ENGINEERING CONSULTANT
HARRY WESE & ASSOCIATES
GENERAL ARCHITECTURAL CONSULTANT
APPROVED *Stanley Allan* 4/13/76

KIOSK
PLAN AT BASE AND BELOW WINDOW
SCALE 1/2" = 1'-0"
DRAWING NO. K-III-A8
M-256-9

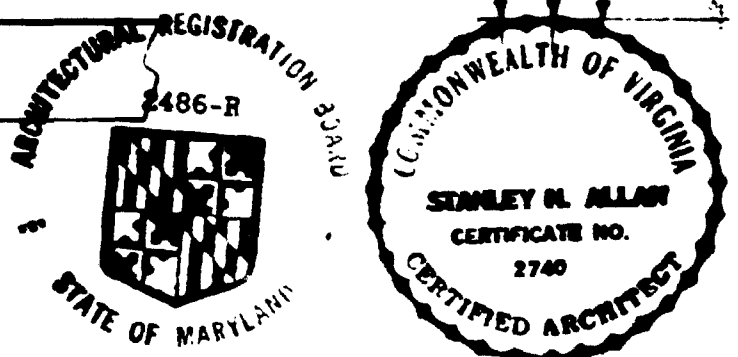


SECTION A-A

SECTION B-B



KEY PLAN

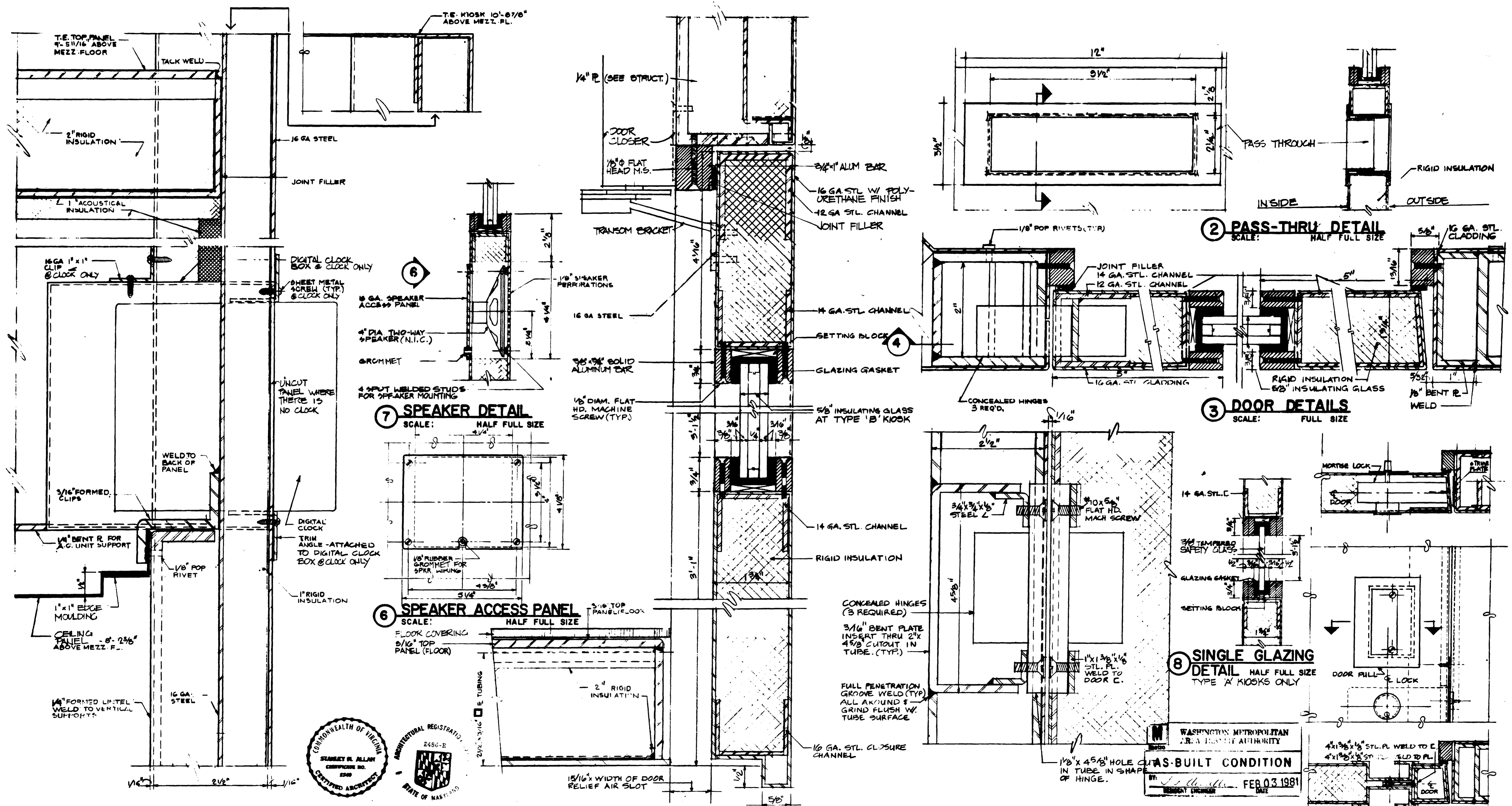


WASHINGTON METROPOLITAN
 AREA TRANSIT AUTHORITY
AS-BUILT CONDITION
 FEB 03 1981
 BY: *Stanley N. Allan*
 RESIDENT ENGINEER

DESIGNED			REFERENCE DRAWINGS			REVISIONS			WASHINGTON METROPOLITAN AREA TRANSIT AUTHORITY			KIOSK SECTIONS		
DATE	NUMBER	DESCRIPTION	DATE	BY	DESCRIPTION	DATE	BY	DESCRIPTION	DESIGNED	CHECKED	APPROVED	SCALE	DRAWING NO.	PROJECT NO.
3-20-74									HWA	RMR	Stanley N. Allan	1/2" = 1'-0"	K-III-A9	M-256-10
4-8-76														
4-13-76														
4-13-76														

HARRY WEESE & ASSOCIATES
 GENERAL ARCHITECTURAL CONSULTANT
 SUBMITTED *Stanley N. Allan* 4/15/76
 APPROVED *Stanley N. Allan* 4/15/76

DE LEUW, CATHER & COMPANY
 GENERAL ENGINEERING CONSULTANT
HARRY WEESE & ASSOCIATES
 GENERAL ARCHITECTURAL CONSULTANT
 SCALE 1/2" = 1'-0"
 DRAWING NO. K-III-A9
 PROJECT NO. M-256-10



1 DOOR SECTIONS
SCALE: FULL SIZE

2 PASS-THRU DETAIL
SCALE: HALF FULL SIZE

3 DOOR DETAILS
SCALE: FULL SIZE

7 SPEAKER DETAIL
SCALE: HALF FULL SIZE

6 SPEAKER ACCESS PANEL
SCALE: HALF FULL SIZE

8 SINGLE GLAZING DETAIL
SCALE: HALF FULL SIZE
TYPE 'A' KIOSKS ONLY

4 DOOR HINGE DETAIL
SCALE: FULL SIZE

5 DOOR PULL & LOCK DETAIL
SCALE: HALF FULL SIZE



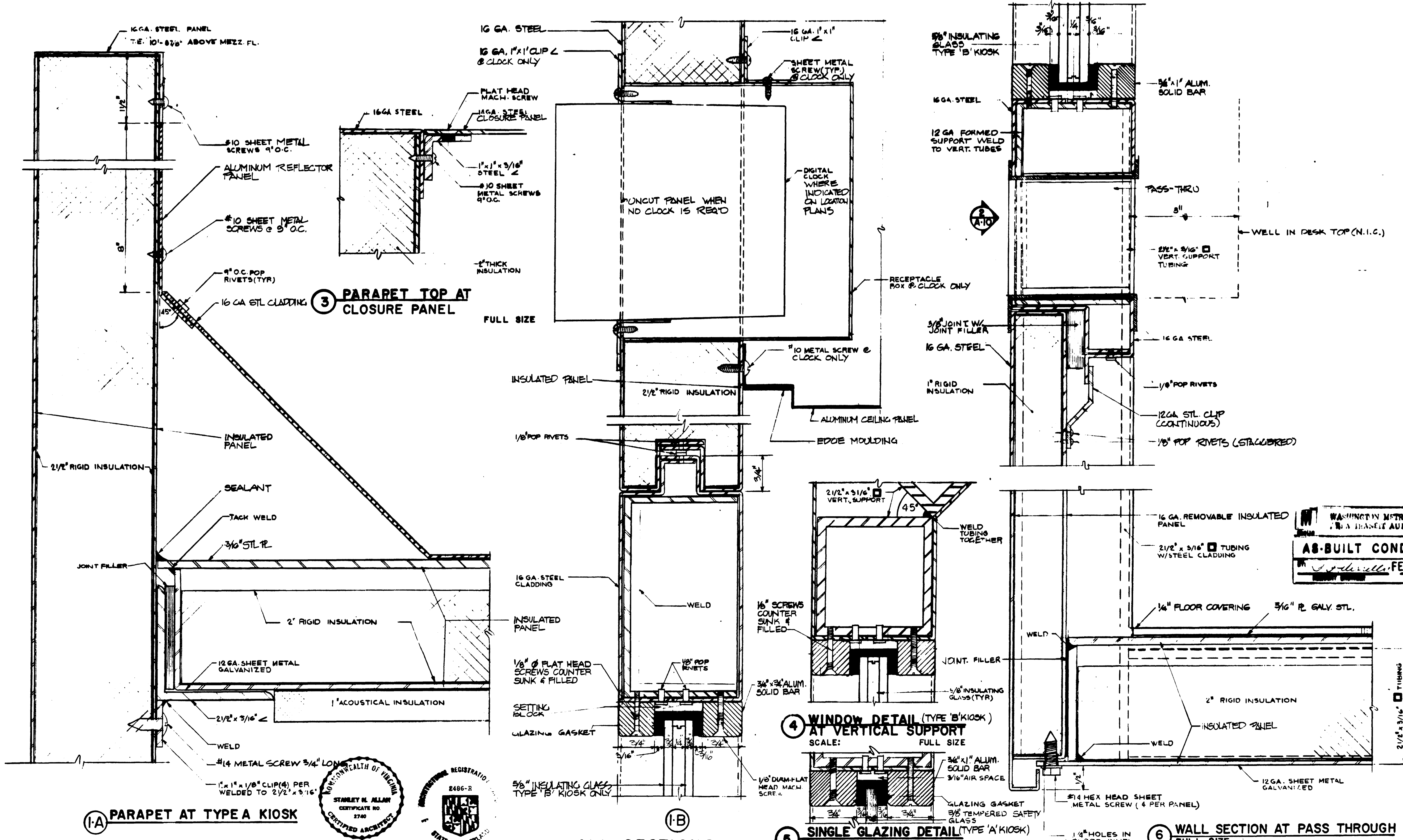
WASHINGTON METROPOLITAN
AREA TRANSIT AUTHORITY
AS-BUILT CONDITION
DATE: FEB 03 1981
RESIDENT ENGINEER

DESIGNED	DATE	REFERENCE DRAWINGS		REVISIONS	
		NUMBER	DESCRIPTION	DATE	BY
NWA	3-21-74				
DRAWN	4-17-76				
CHECKED	4-13-76				
APPROVED	4-13-76				

STANLEY N. ALLAN
DIST. OF COLUMBIA
CERTIFICATE
No. A-2077

WASHINGTON METROPOLITAN AREA TRANSIT AUTHORITY
HARRY WEESE & ASSOCIATES
GENERAL ARCHITECTURAL CONSULTANT
SUBMITTED: Stanley Allan 4/15/76
APPROVED: Stanley Allan 4/15/76

KIOSK
DOOR SECTIONS & DETAILS
SCALE: 1/2" = 1'-0"
1" = 1'-0"
DRAWING NO. **KIII-A10**
M-256-11

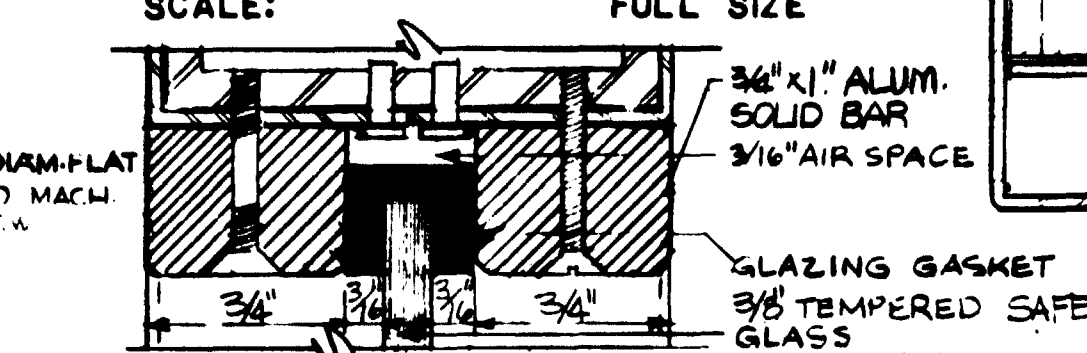


1-A PARAPET AT TYPE A KIOSK



1 WALL SECTIONS
SCALE: FULL SIZE

4 WINDOW DETAIL (TYPE 'B' KIOSK)
AT VERTICAL SUPPORT
SCALE: FULL SIZE



5 SINGLE GLAZING DETAIL (TYPE 'A' KIOSK)
AT VERTICAL SUPPORT FULL SIZE

6 WALL SECTION AT PASS THROUGH
FULL SIZE

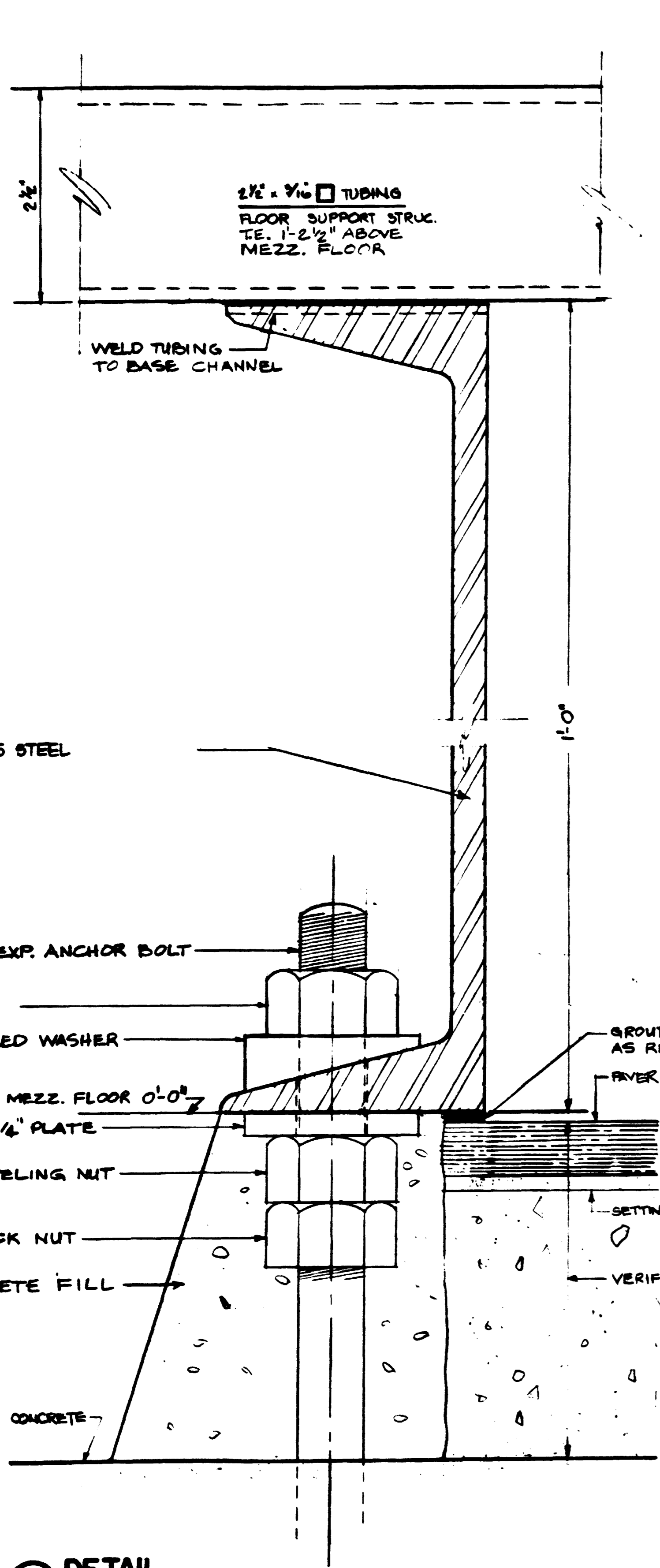
WASHINGTON METROPOLITAN
AREA TRANSIT AUTHORITY
AS-BUILT CONDITION
FEB 03 1981

DESIGNED	HWA	3-28-76 DATE	REFERENCE DRAWINGS		REVISIONS	
			NUMBER	DESCRIPTION	DATE	BY
DRAWN	RMR	4-8-76				
CHECKED	JL	4-13-76				
APPROVED	Stanley H. Allan	4-13-76				

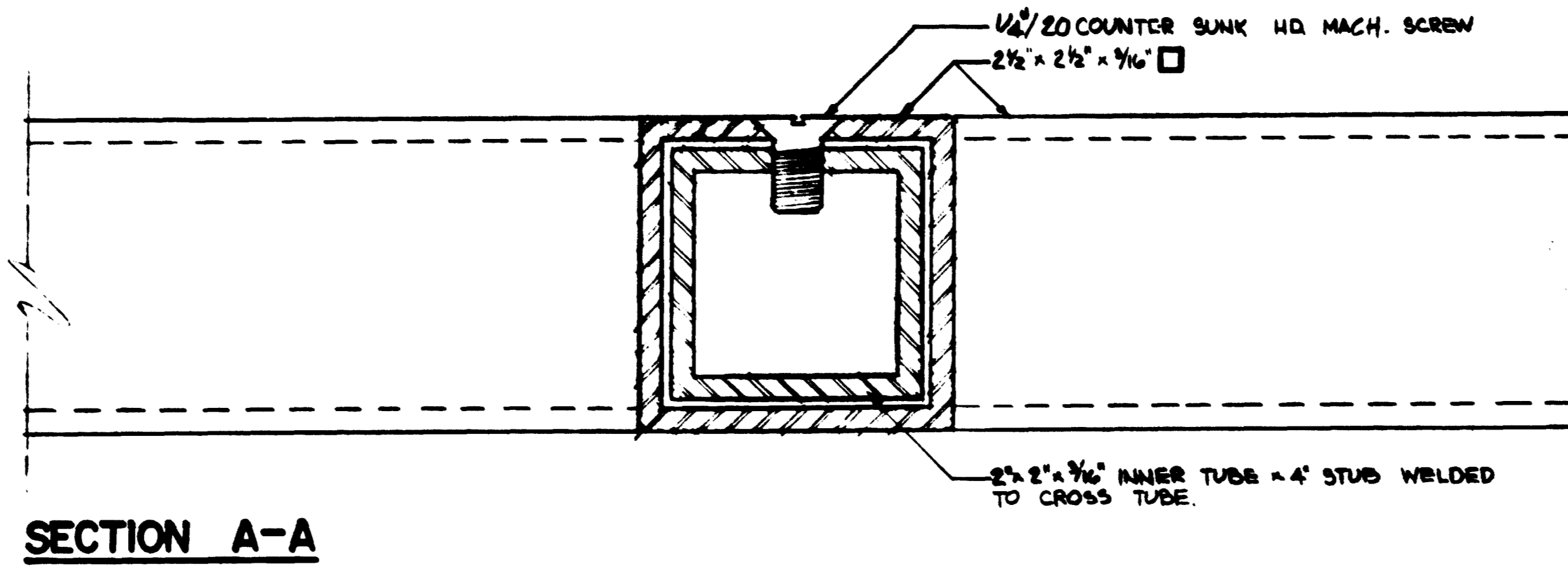
STANLEY H. ALLAN
DIST. OF COLUMBIA
CERTIFICATE
NO. A-2977

WASHINGTON METROPOLITAN AREA TRANSIT AUTHORITY
HARRY WEESE & ASSOCIATES
GENERAL ARCHITECTURAL CONSULTANT
SUBMITTED: Stanley H. Allan 4/15/76
APPROVED: Stanley H. Allan 4/15/76

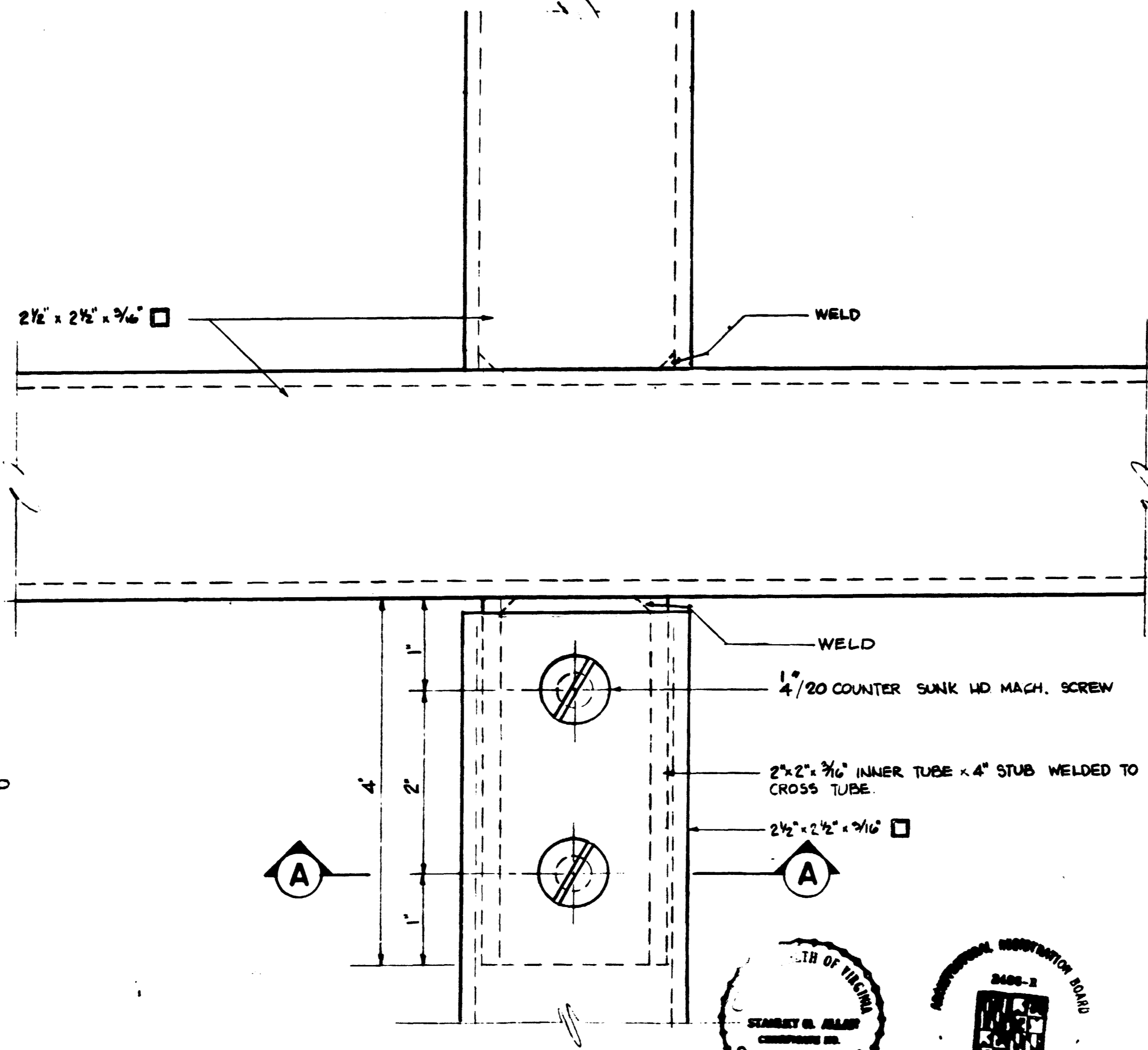
KIOSK WALL SECTIONS
SCALE: 1/2" = 1'-0"
DRAWING NO. K-111-A11
M 256-12



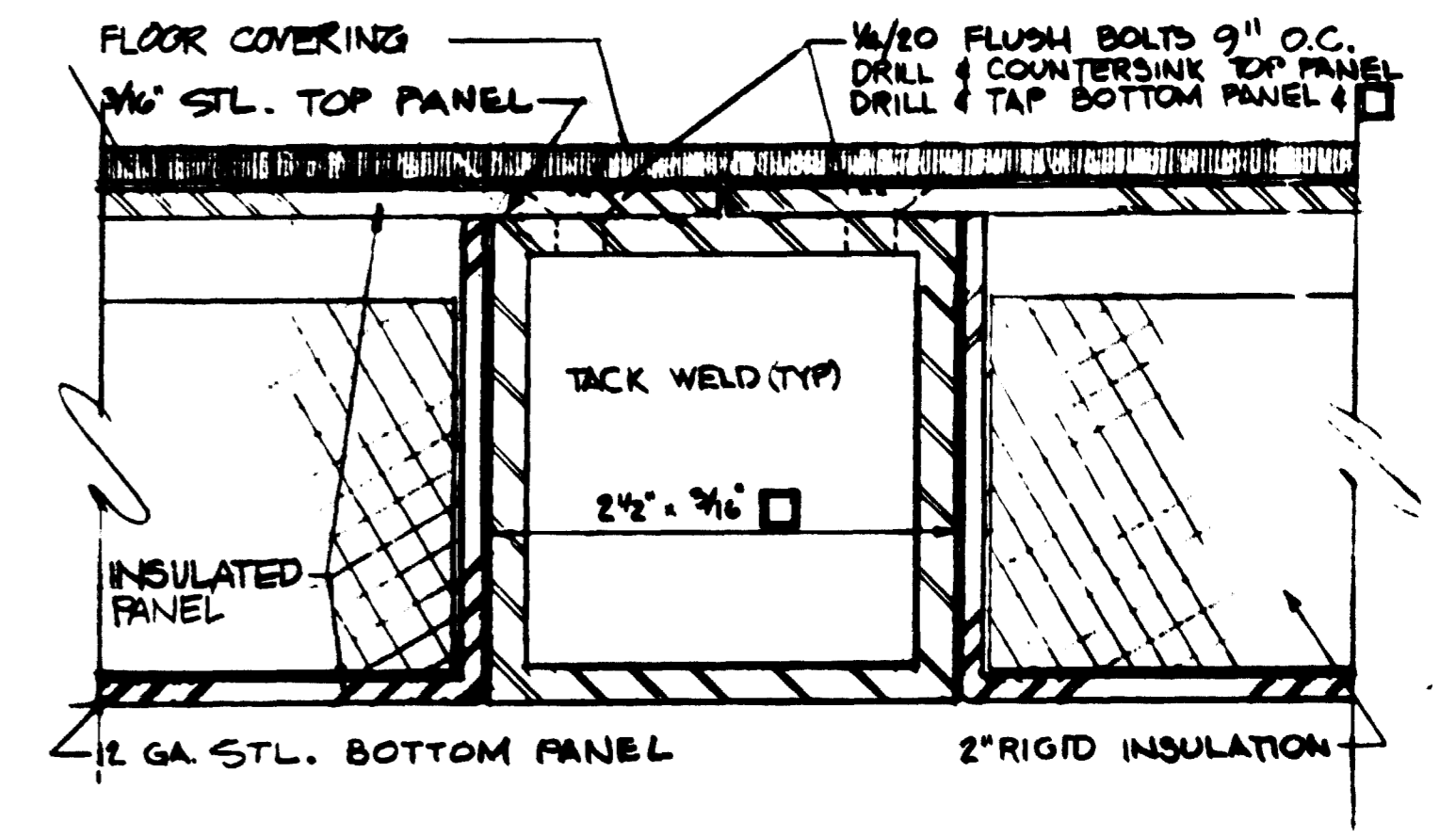
④ DETAIL



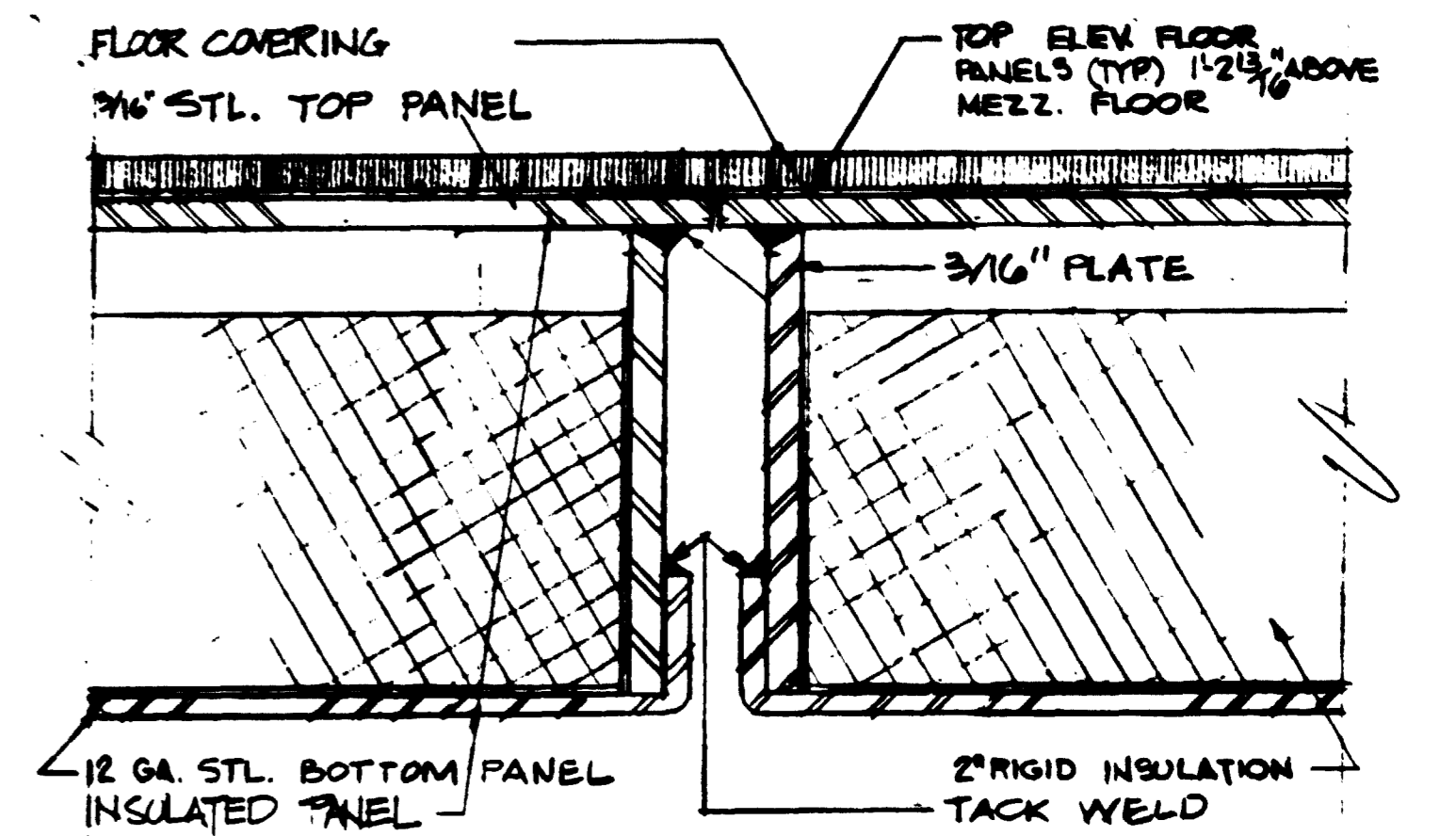
SECTION A-A



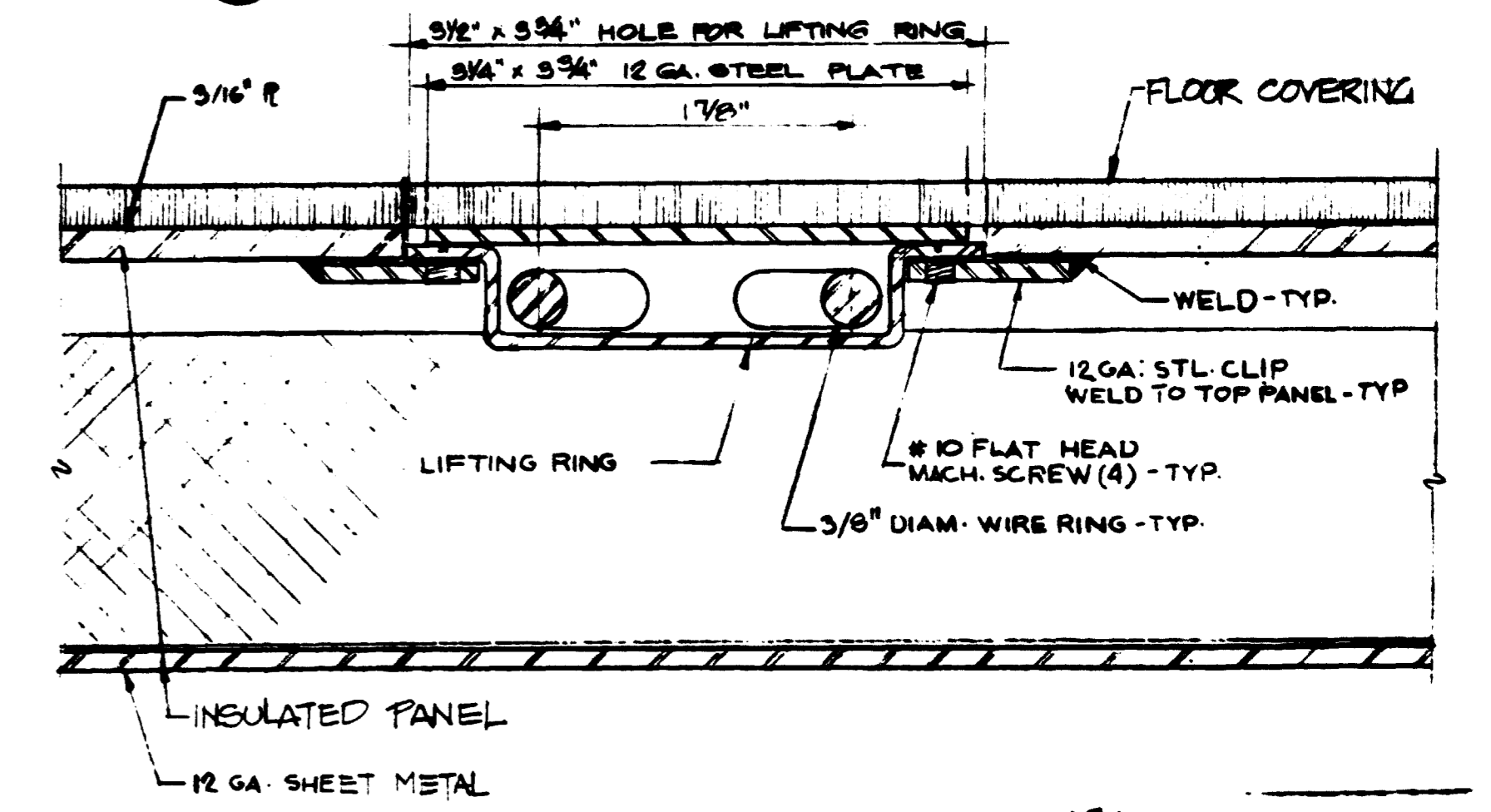
③ DETAIL



① DETAIL



② DETAIL



⑤ DETAIL LIFTING RING

WASHINGTON METROPOLITAN AREA TRANSIT AUTHORITY
 AS-BUILT CONDITION
 FEB 03 1981

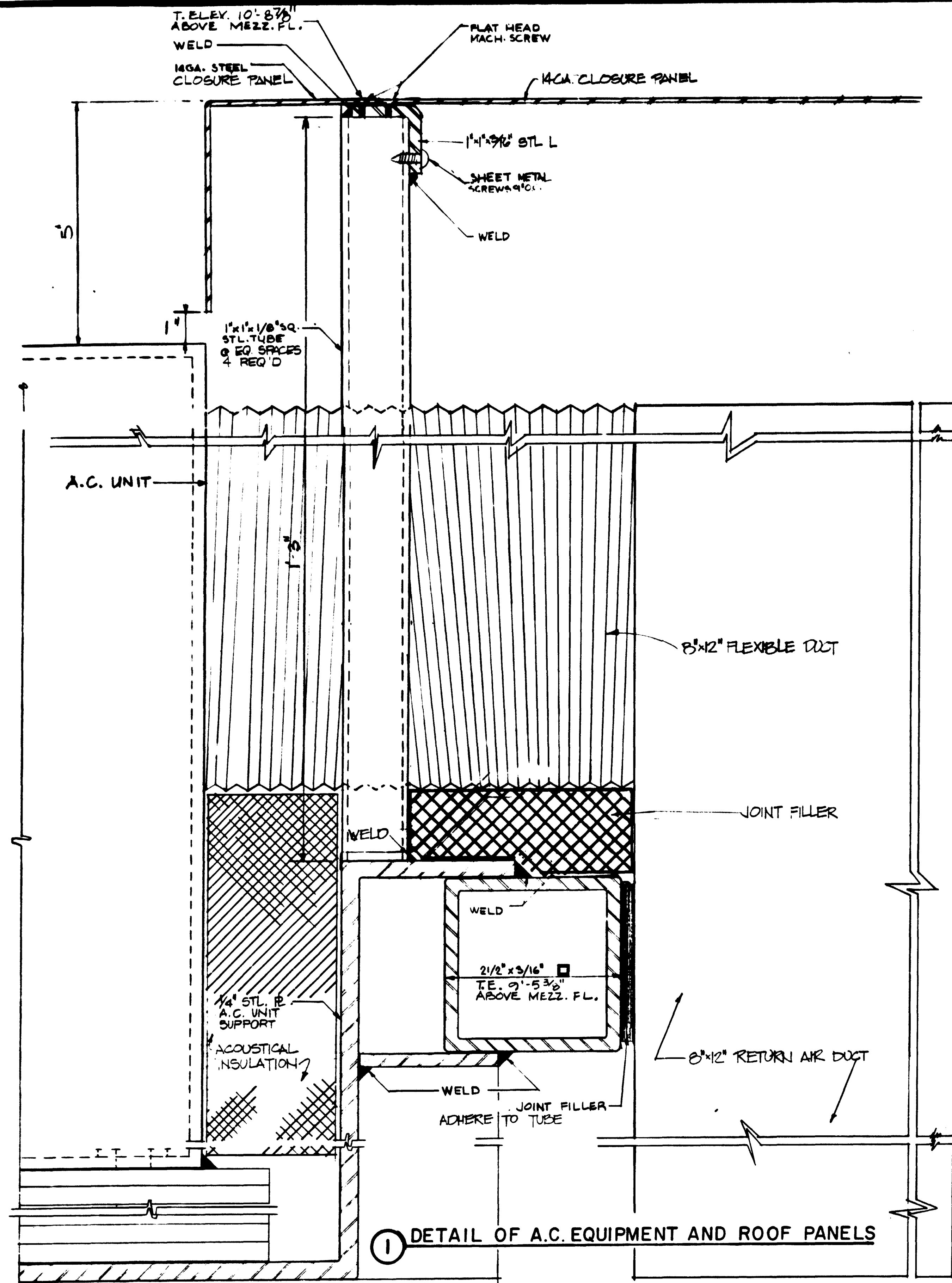
DESIGNED HWA 4-2-74
 DATE
 DRAWN RMR 4-22-74
 DATE
 CHECKED [Signature] 4-13-76
 DATE
 APPROVED [Signature] 4-13-76
 DATE

REFERENCE DRAWINGS		REVISIONS		
NUMBER	DESCRIPTION	DATE	BY	DESCRIPTION

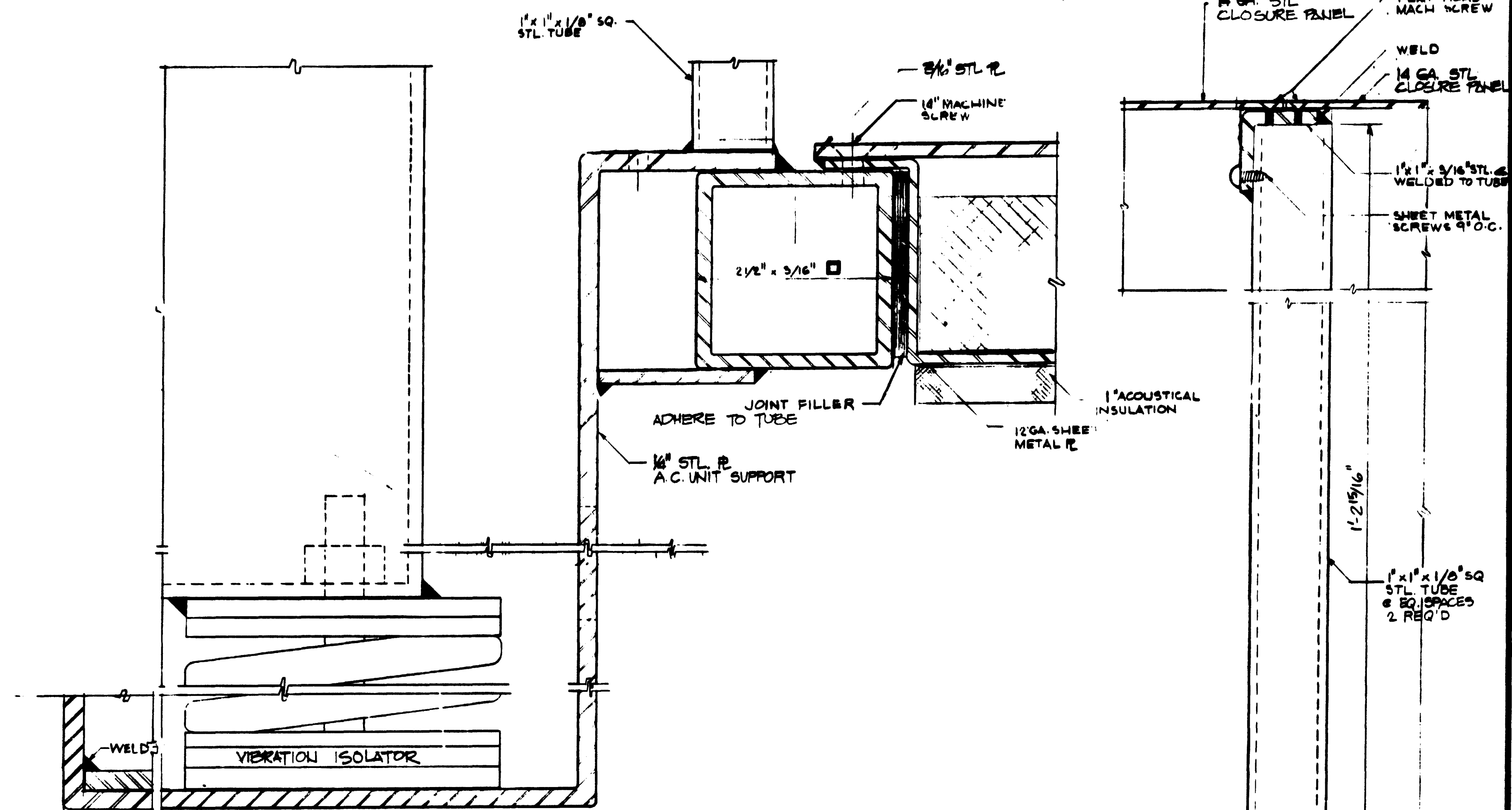
STANLEY N. ALLAN
 DIST. OF COLUMBIA
 CERTIFICATE
 No. A-2077

WASHINGTON METROPOLITAN AREA TRANSIT AUTHORITY
 HARRY WESE & ASSOCIATES
 GENERAL ARCHITECTURAL CONSULTANT
 DE LEUW, GATHER & COMPANY
 GENERAL ENGINEERING CONSULTANT
 HARRY WESE & ASSOCIATES
 GENERAL ARCHITECTURAL CONSULTANT
 SUBMITTED Stanley Allan 4/15/76
 APPROVED Stanley Allan 4/15/76

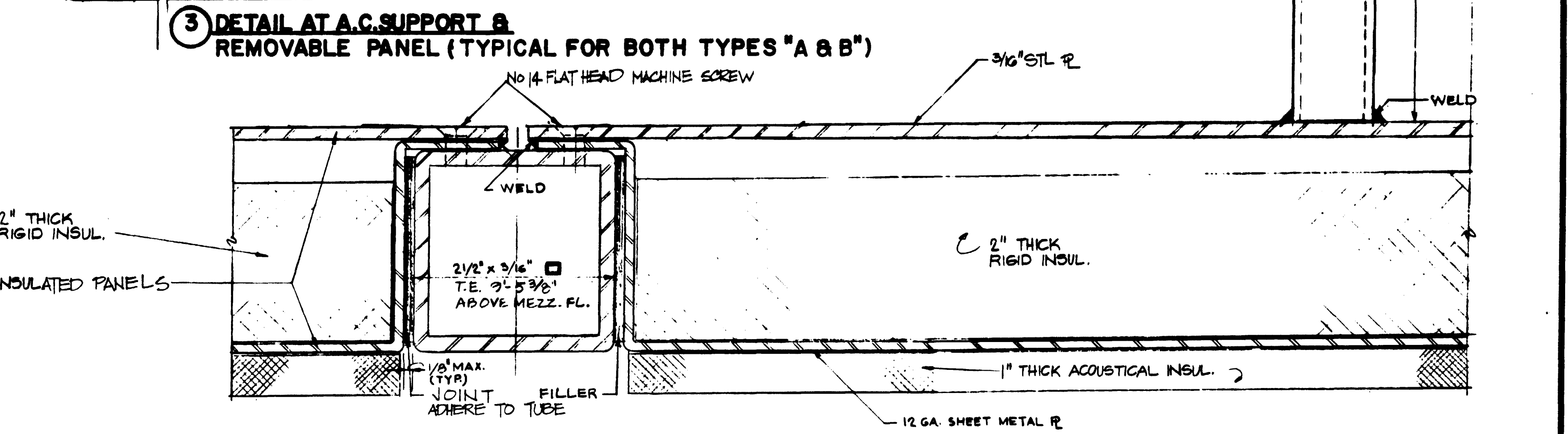
KIOSK
 FLOOR & BASE DETAILS
 SCALE 1" = 1'-0"
 DRAWING NO. K111-A12
 M-256-13



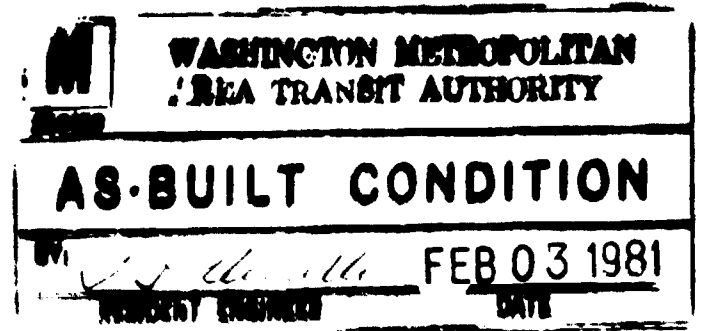
① DETAIL OF A.C. EQUIPMENT AND ROOF PANELS



② DETAIL OF ROOF ADJACENT TO A.C. UNIT



③ DETAIL AT A.C. SUPPORT & REMOVABLE PANEL (TYPICAL FOR BOTH TYPES "A & B")



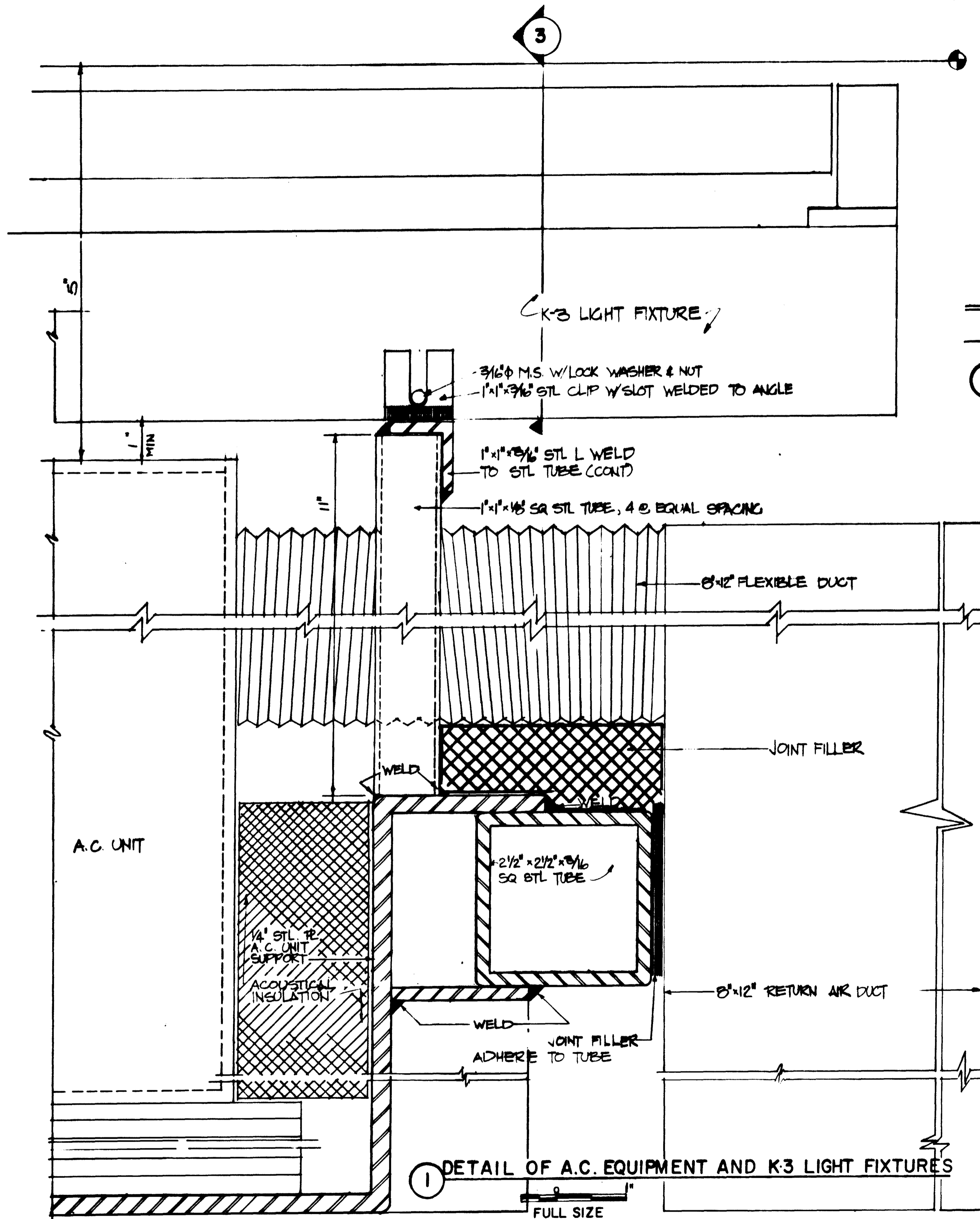
DESIGNED	HWA	3-29-77
DRAWN	R.M.R.	2-3-76
CHECKED	[Signature]	4-13-77
APPROVED	[Signature]	4-13-77

REFERENCE DRAWINGS		REVISIONS		
NUMBER	DESCRIPTION	DATE	BY	DESCRIPTION

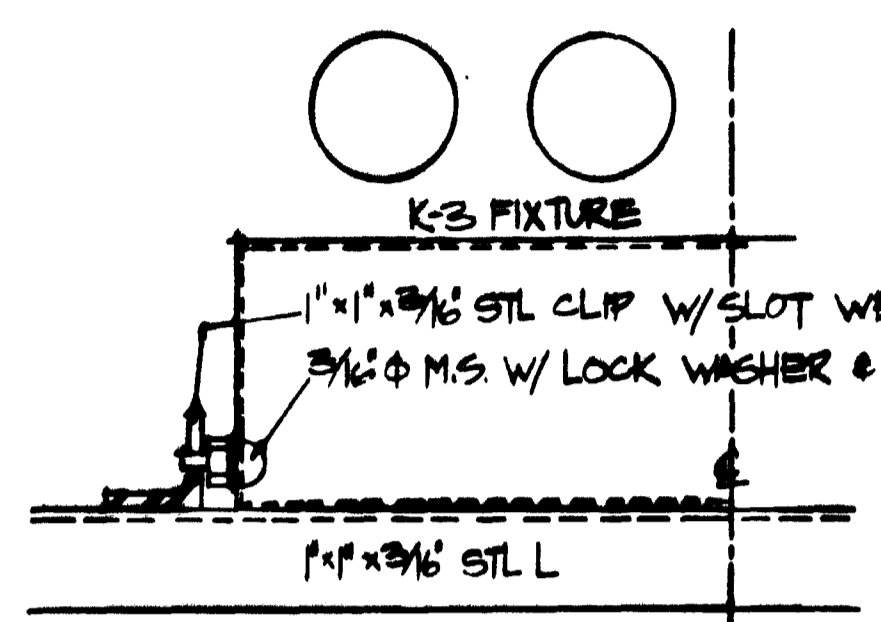
STANLEY N. ALLAN
DIST. OF COLUMBIA
CERTIFICATE
No. A-2077

WASHINGTON METROPOLITAN AREA TRANSIT AUTHORITY
HARRY WEESÉ & ASSOCIATES
GENERAL ARCHITECTURAL CONSULTANT
SUBMITTED: Stanley Allan 4/15/76
APPROVED: Stanley Allan 4/15/76

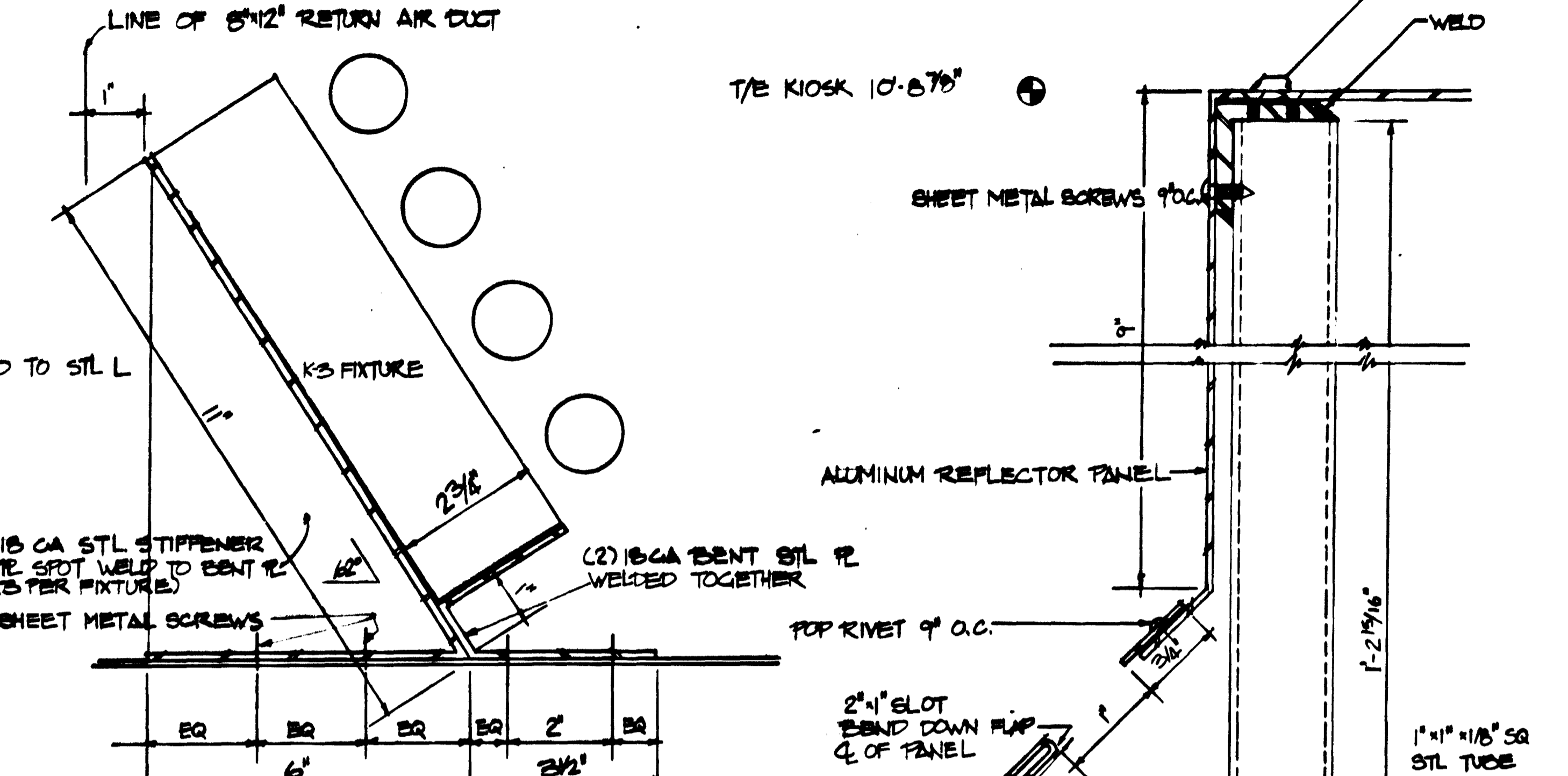
KIOSK
ROOF DETAILS FOR TYPE "B" KIOSKS
SCALE: 1" = 1'-0"
DRAWING NO. K-111-A-13
M-256-14



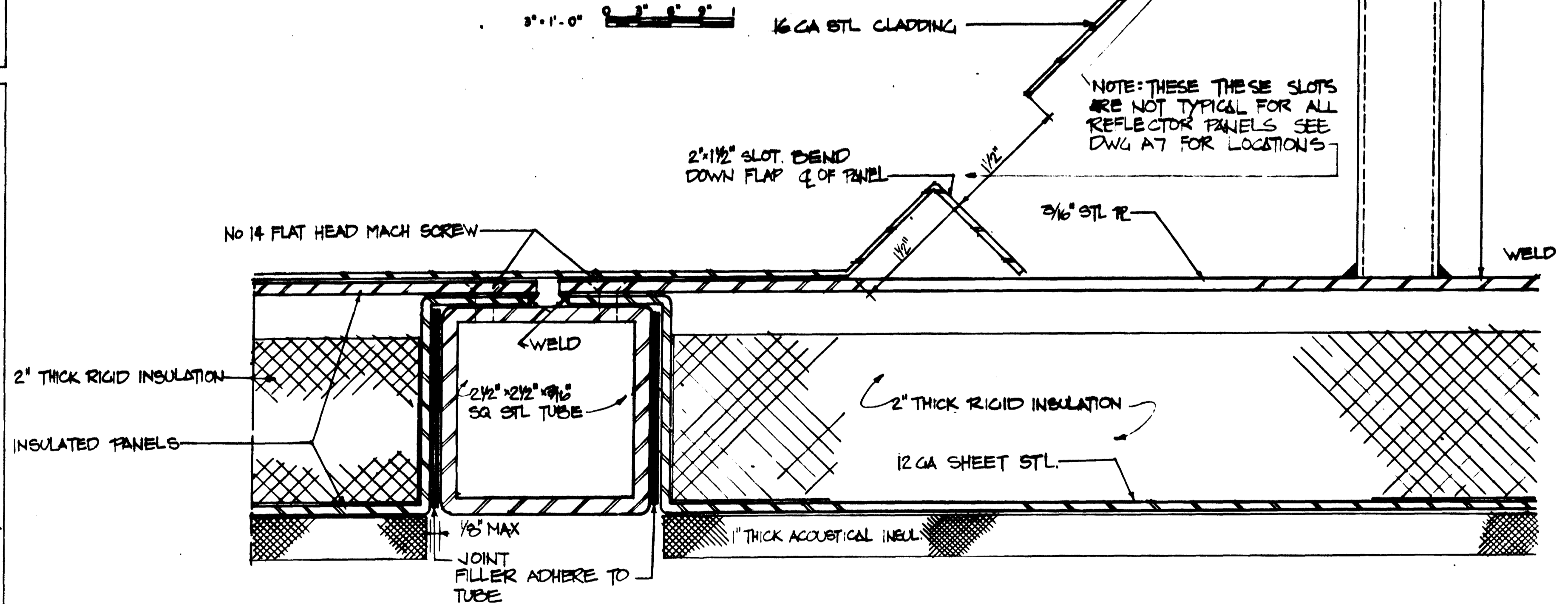
TOP ELEVATION OF KIOSK 10-878



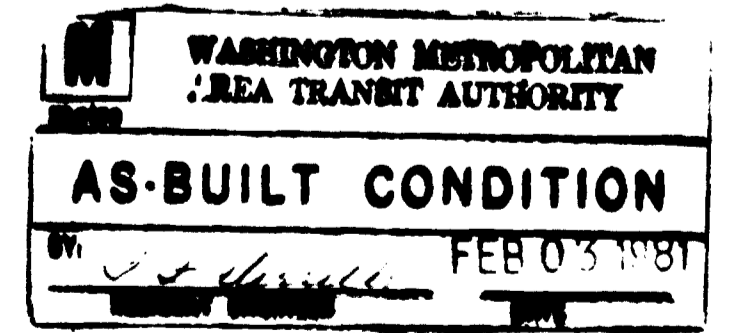
3 HORIZONTAL MOUNTING OF K-3 FIXTURE



4 VERTICAL MOUNTING OF K-3 FIXTURE



2 DETAIL OF ROOF AND LIGHTWELL ADJACENT TO A.C. UNIT



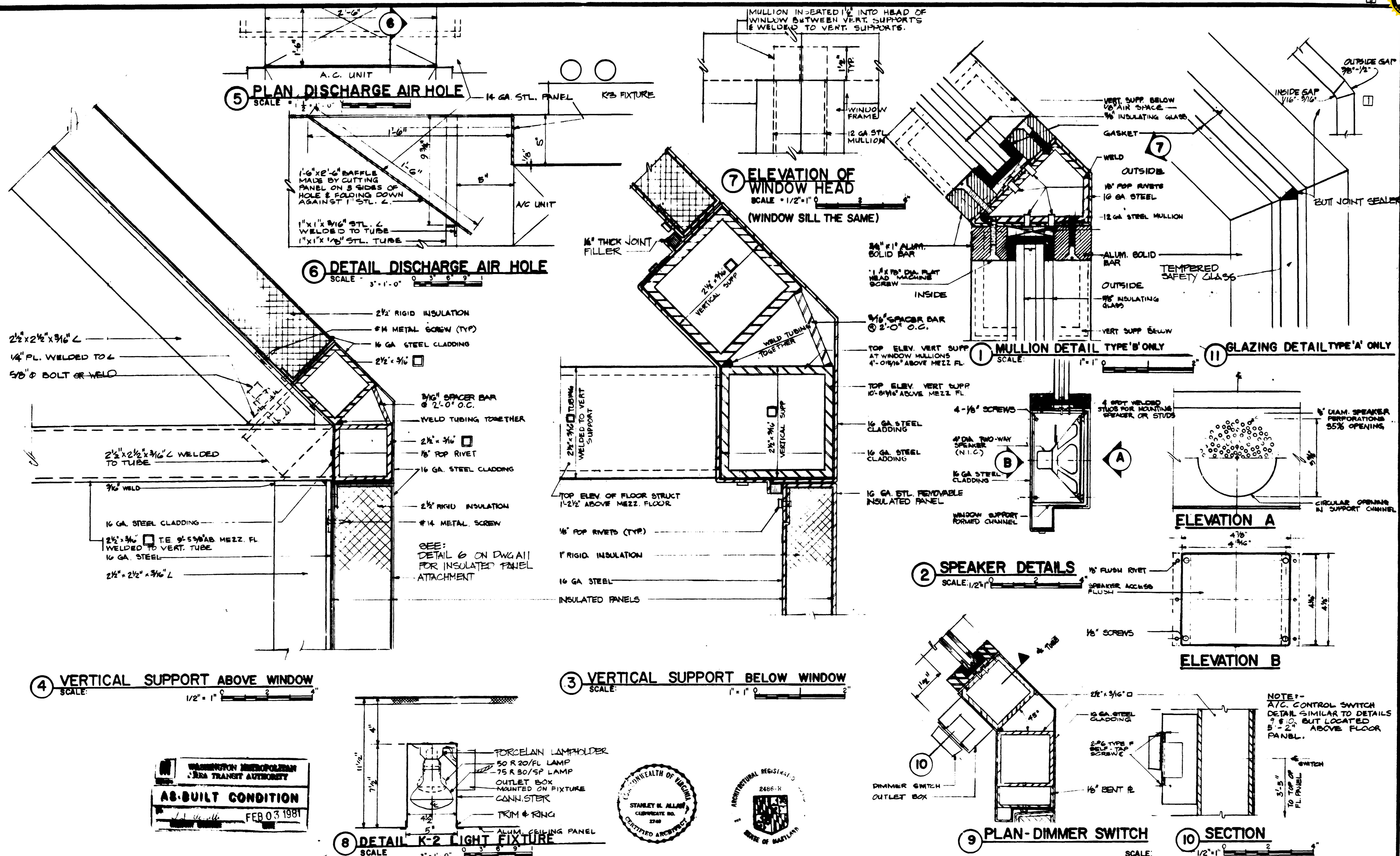
DESIGNED	H.W.A.	2-4-76
DRAWN	R.M.R.	2-4-76
CHECKED	JDC	4-13-76
APPROVED	Stanley Allan	4-13-76

REFERENCE DRAWINGS		REVISIONS		
NUMBER	DESCRIPTION	DATE	BY	DESCRIPTION

STANLEY H. ALLAN
DIST. OF COLUMBIA
CERTIFICATE
No. A-2077

WASHINGTON METROPOLITAN AREA TRANSIT AUTHORITY
HARRY WEESE & ASSOCIATES LTD.
GENERAL ARCHITECTURAL CONSULTANT
SUBMITTED Stanley Allan 4/15/76
APPROVED Stanley Allan 4/15/76

KIOSK
ROOF DETAILS FOR TYPE "A" KIOSKS
SCALE AS NOTED
DRAWING NO. K III-A-14
M256-15



WASHINGTON METROPOLITAN AREA TRANSIT AUTHORITY
AS-BUILT CONDITION
 FEB 03 1981

STANLEY N. ALLAN
 CERTIFICATE NO. 2748
 ARCHITECTURAL REGISTERED
 STATE OF MARYLAND

2486-R
 ARCHITECTURAL REGISTERED
 STATE OF MARYLAND

DESIGNED	HWA	4-4-74
DRAWN	RMR	4-8-76
CHECKED	JL	4-13-76
APPROVED	Stanley Allan	4-13-76

NUMBER	DESCRIPTION	BY	DATE
1	REV PER FIELD COND., AS-BUILT	BAB	1-12-81

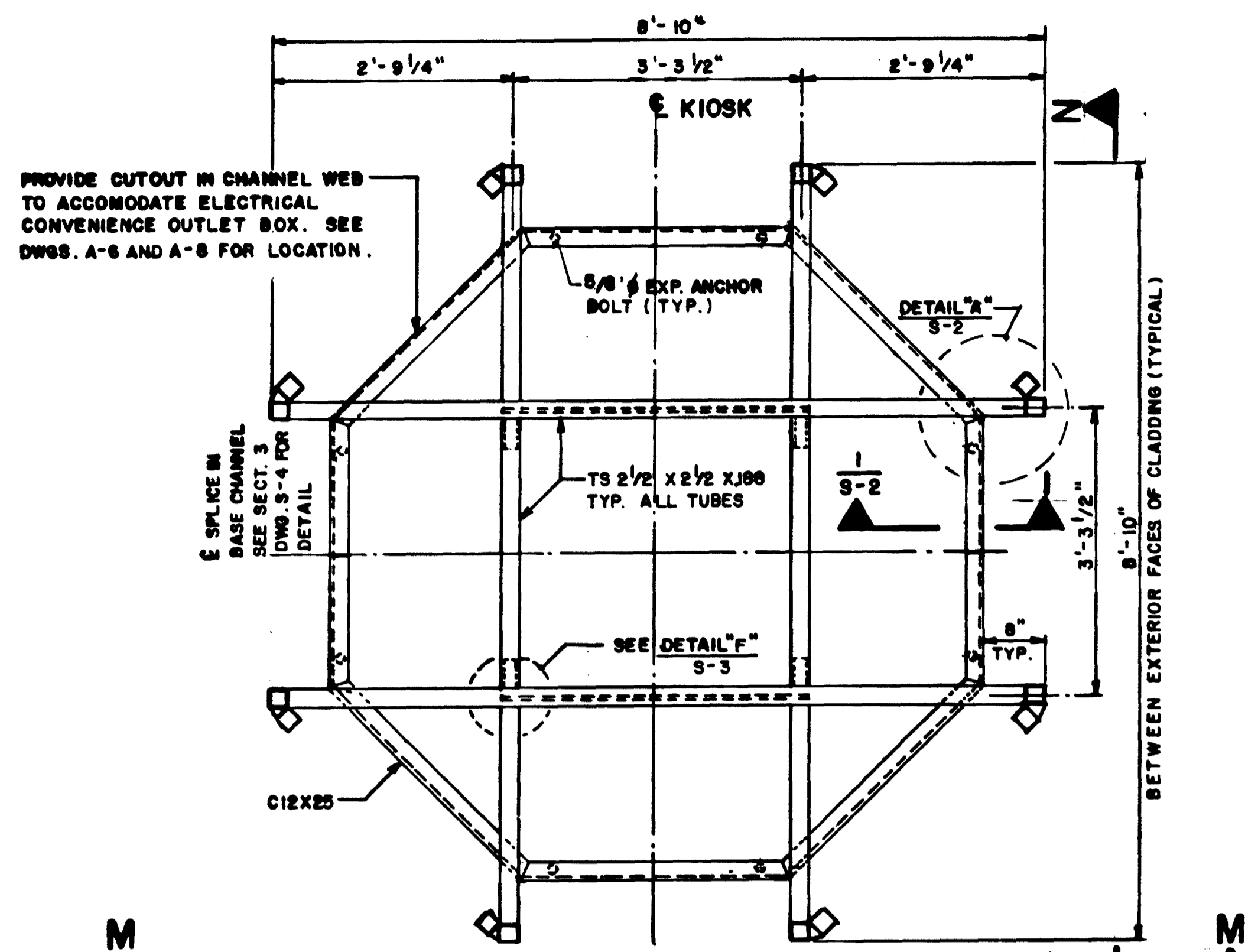
STANLEY N. ALLAN
 DIST. OF COLUMBIA
 CERTIFICATE
 No. A-2077

WASHINGTON METROPOLITAN AREA TRANSIT AUTHORITY
HARRY WESE & ASSOCIATES
 GENERAL ARCHITECTURAL CONSULTANT
 SUBMITTED: Stanley Allan 4/13/76
 APPROVED: Stanley Allan 4/13/76

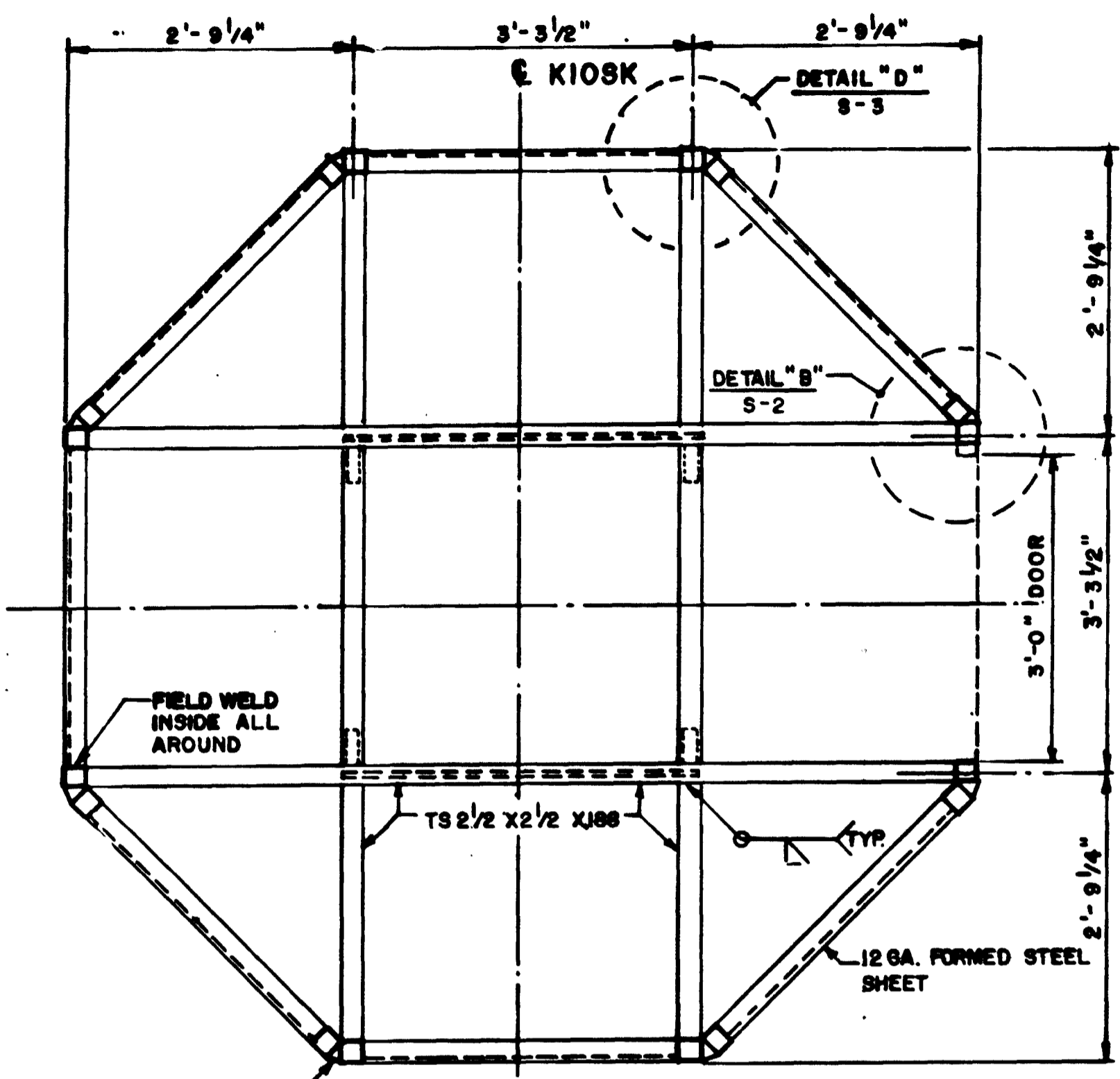
KIOSK
MISCELLANEOUS DETAILS
 SCALE: AS NOTED
 DRAWING NO. K III-A-15
 M-256-16

NOTES:

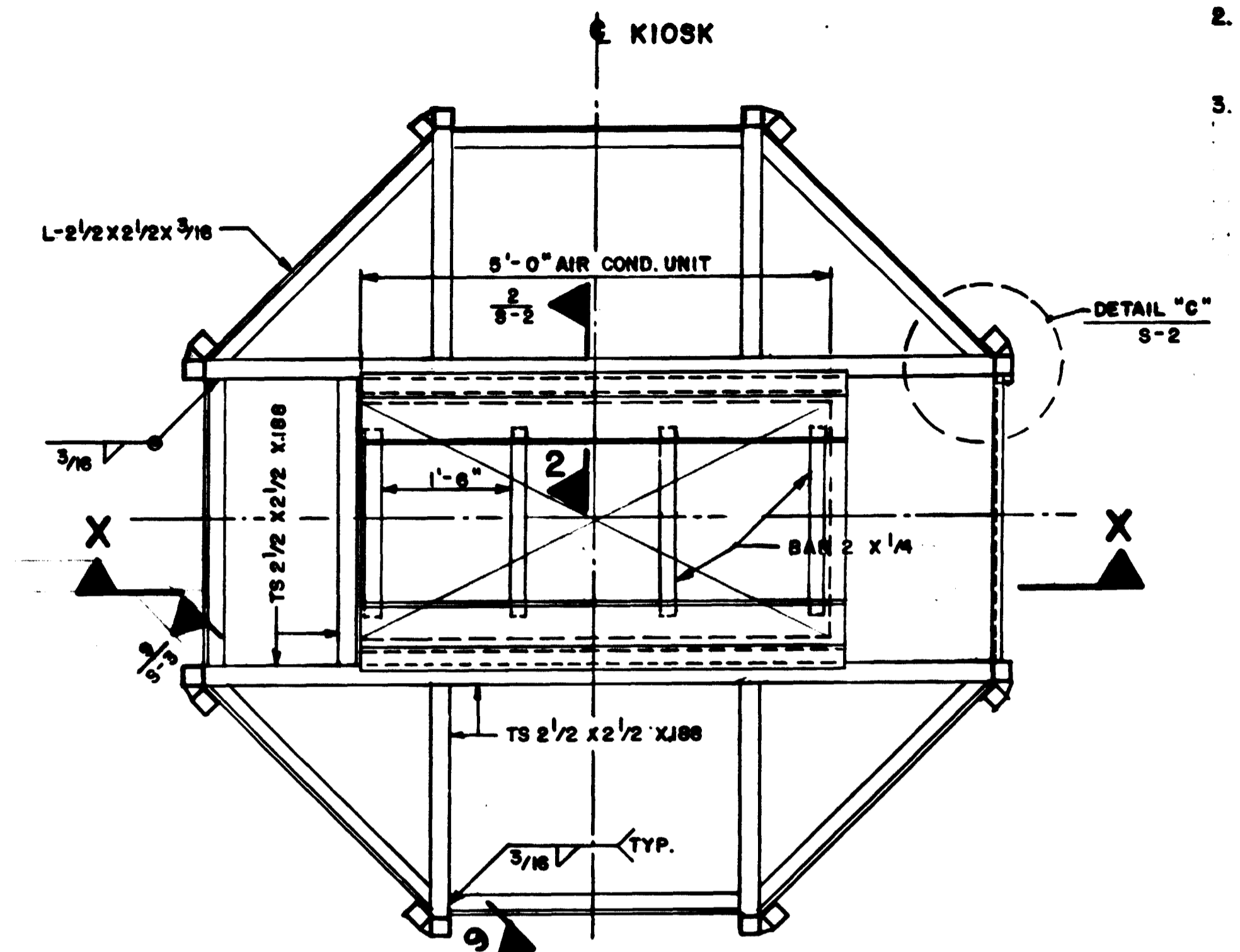
- FOR GENERAL STRUCTURAL NOTES SEE DRAWING S-3.
- MULLIONS SHALL BE PROVIDED ON TYPE B KIOSKS ONLY.
- FOR LOCATIONS OF TYPE A AND TYPE B KIOSKS SEE DRAWING A-1 THRU A-3.



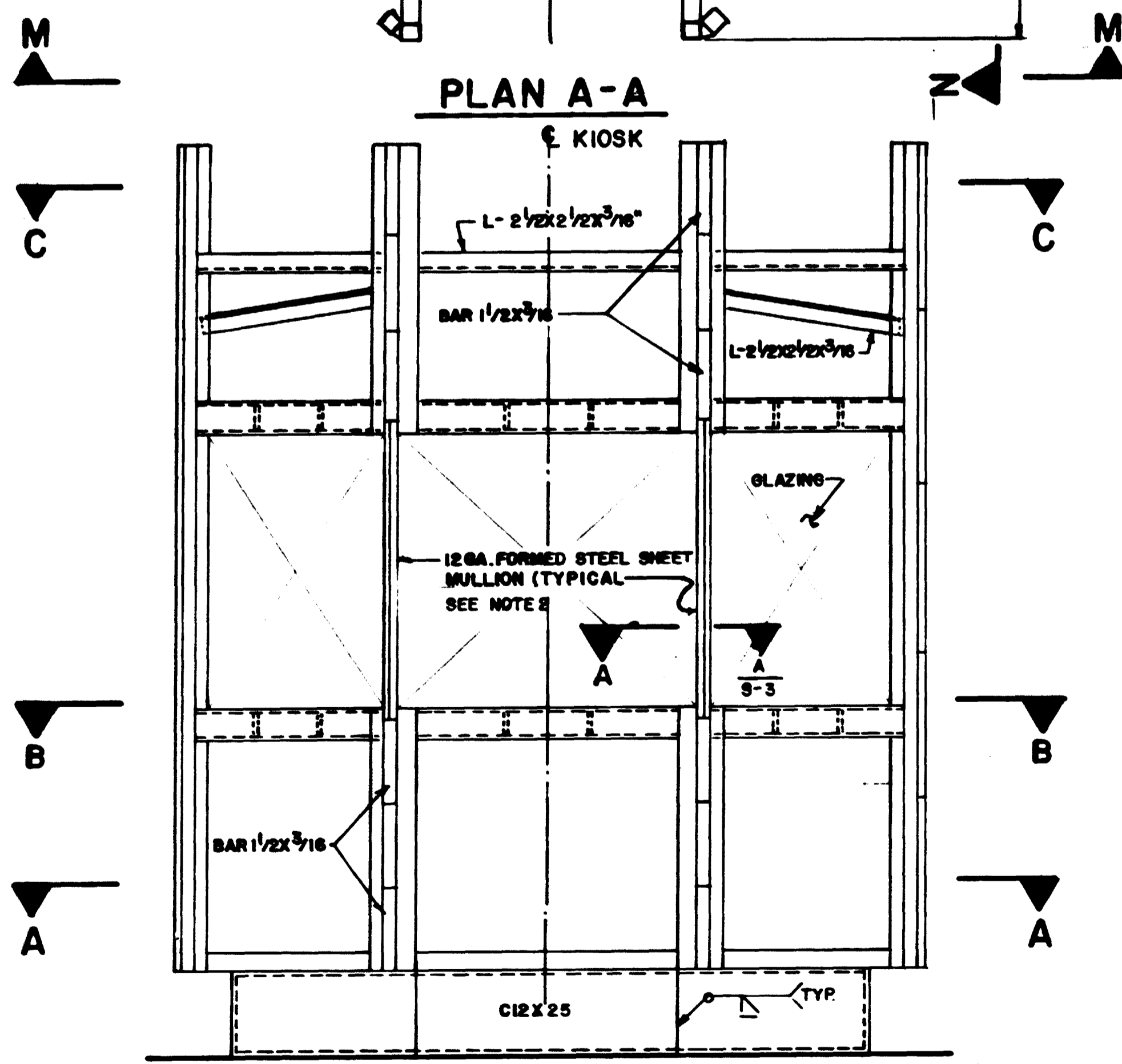
PLAN A-A



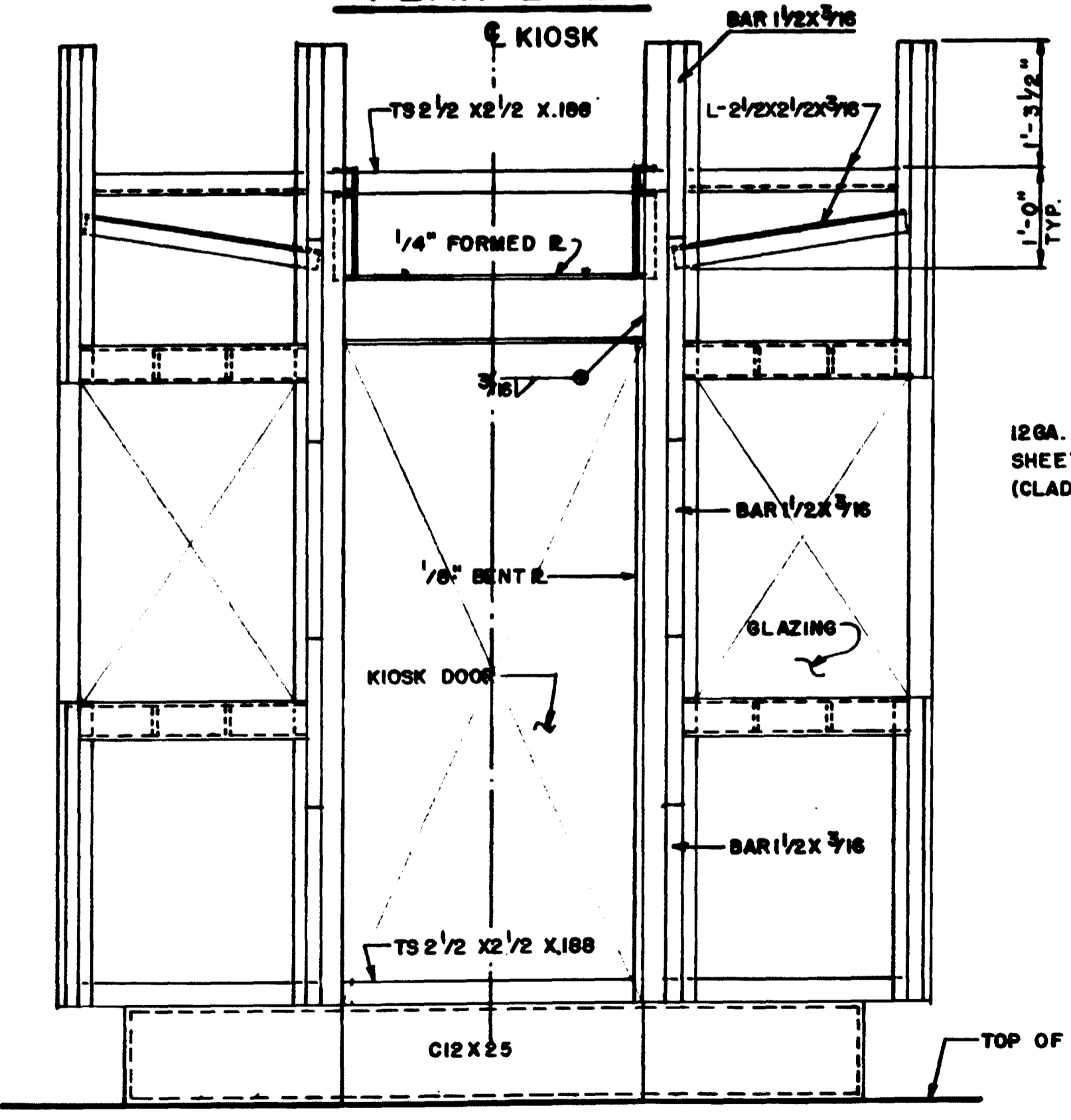
PLAN B-B



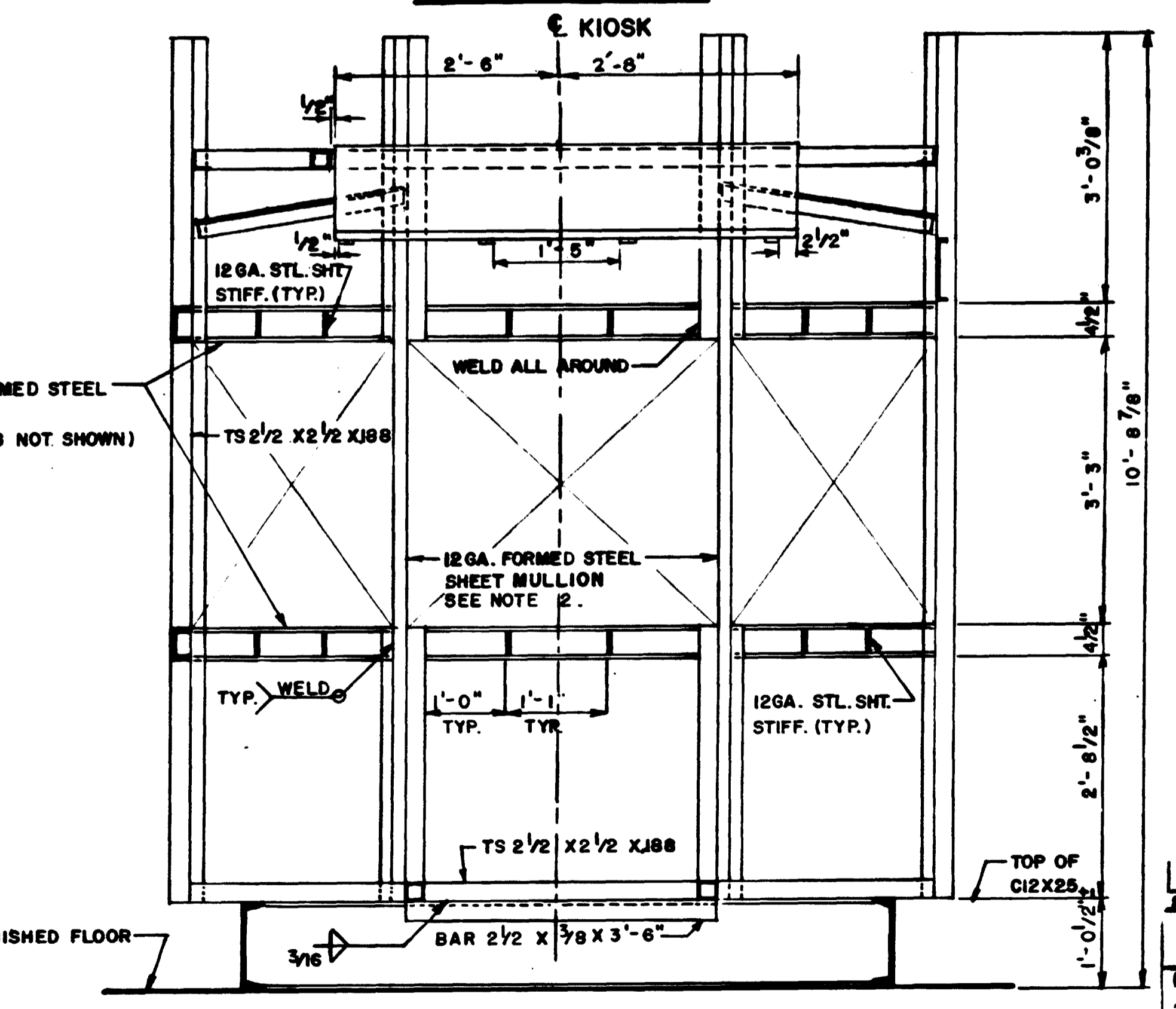
PLAN C-C



ELEVATION M-M



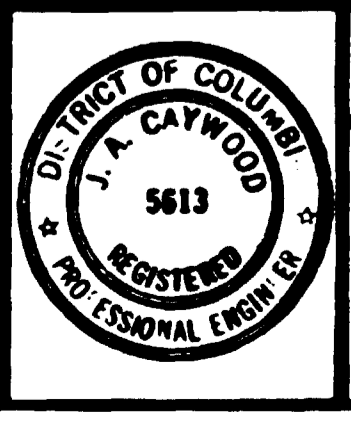
ELEVATION N-N



SECTION X-X

WASHINGTON METROPOLITAN
AREA TRANSIT AUTHORITY
AS-BUILT CONDITION
FEB 03 1981

DESIGNED	DATE	NUMBER	DESCRIPTION	DATE	BY	DESCRIPTION
K. SINGH	4/76					
L. SETTLES	4/76					
R. MOCARSKI	4/76					
APPROVED	4/76					



WASHINGTON METROPOLITAN AREA TRANSIT AUTHORITY

DE LEUW, CATHER & COMPANY
GENERAL ENGINEERING CONSULTANT

HARRY WEESE & ASSOCIATES
GENERAL ARCHITECTURAL CONSULTANT

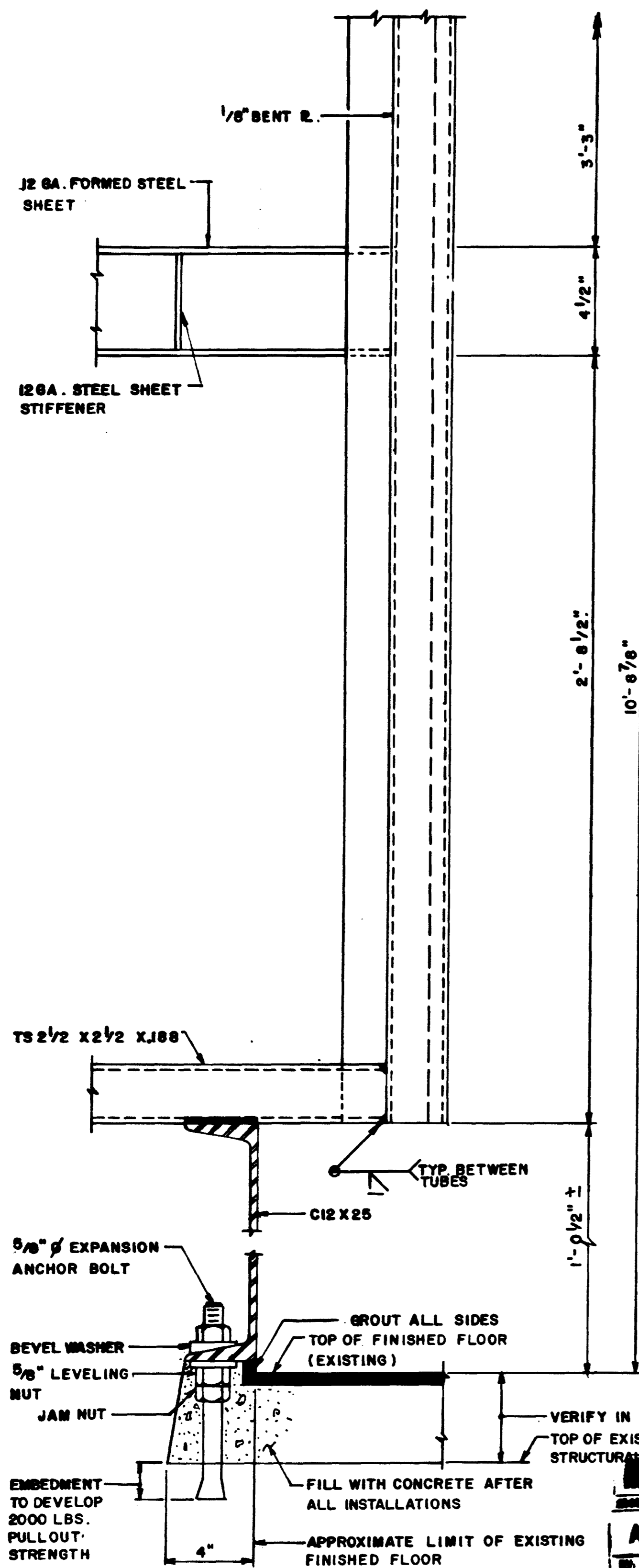
SECTION DESIGNER: *John Raymond*

APPROVED: *John Raymond*

KIOSK
PLANS AND ELEVATIONS

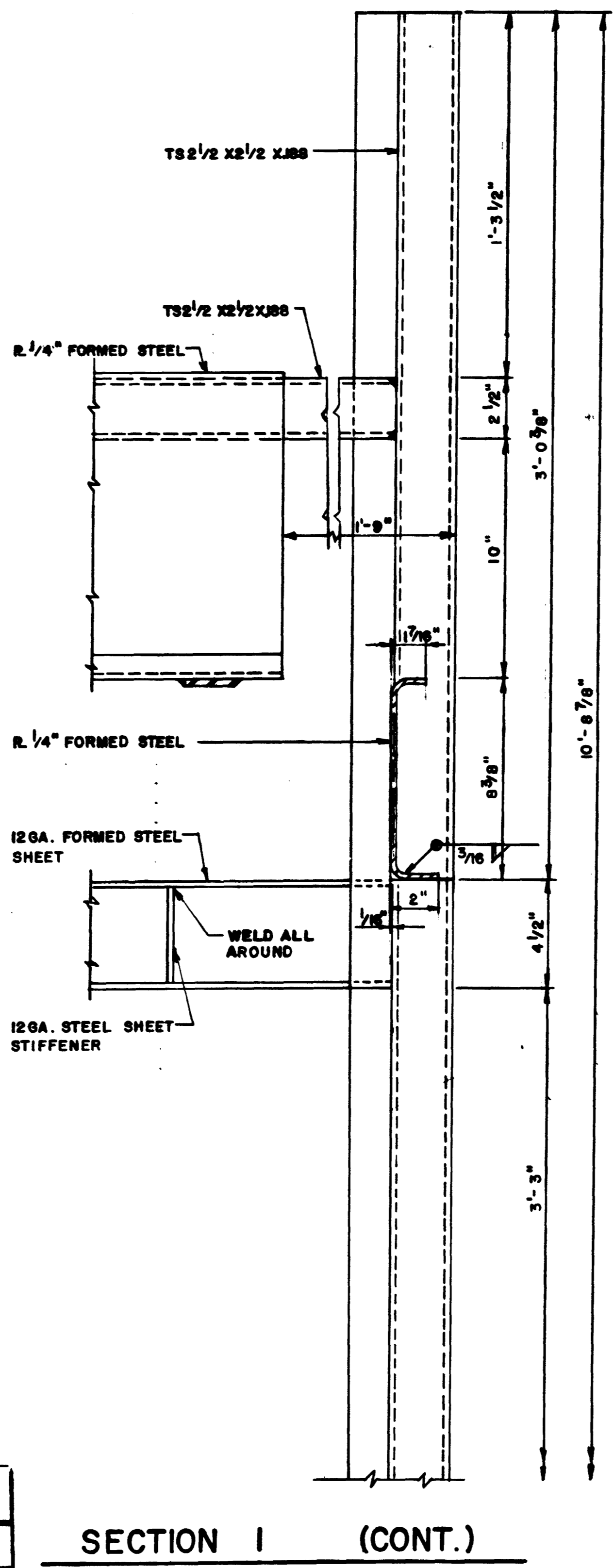
SCALE: 3/4" = 1'-0"

DRAWING NO. **KIII-S-1** M-256-17

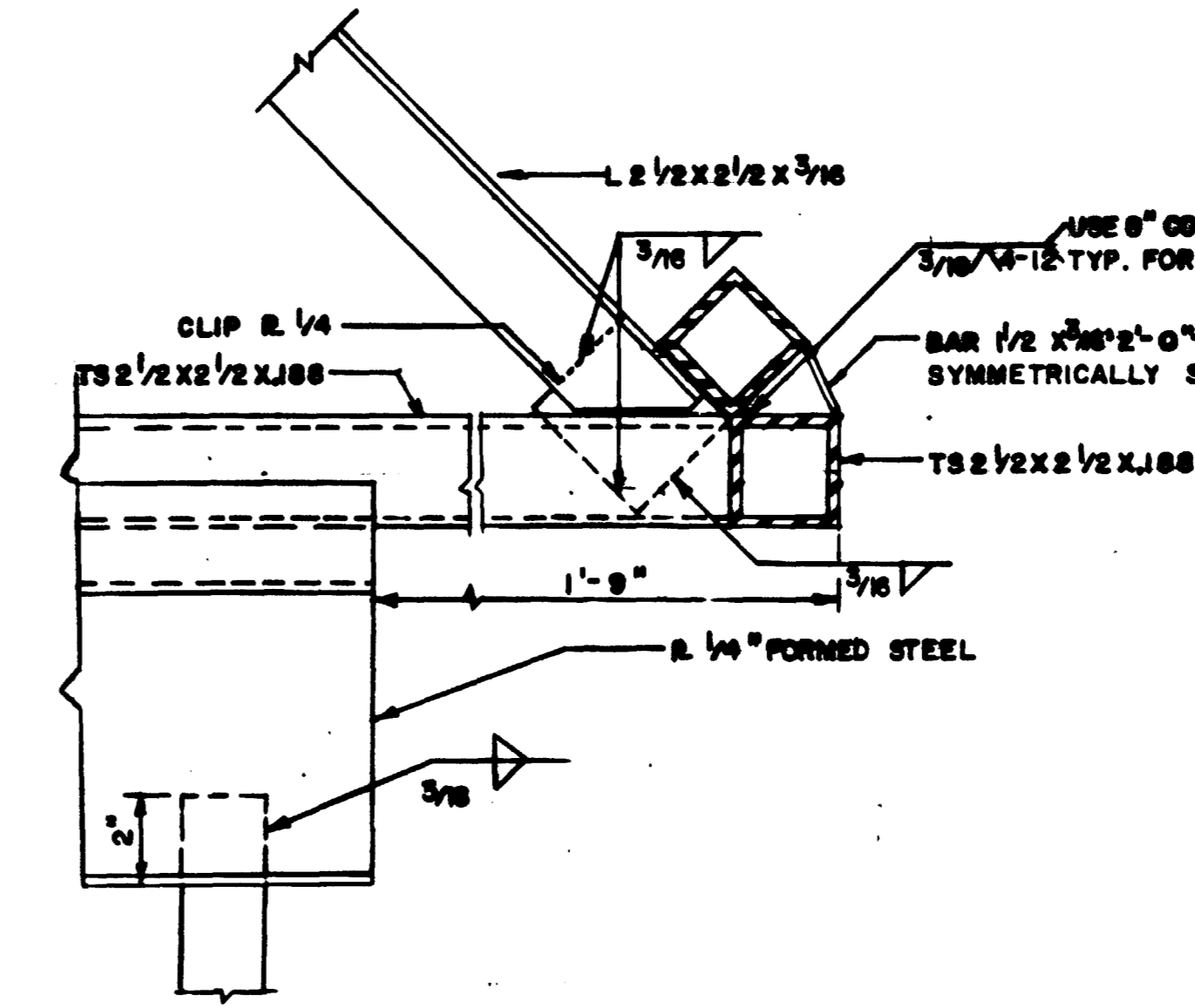


SECTION I
S-1

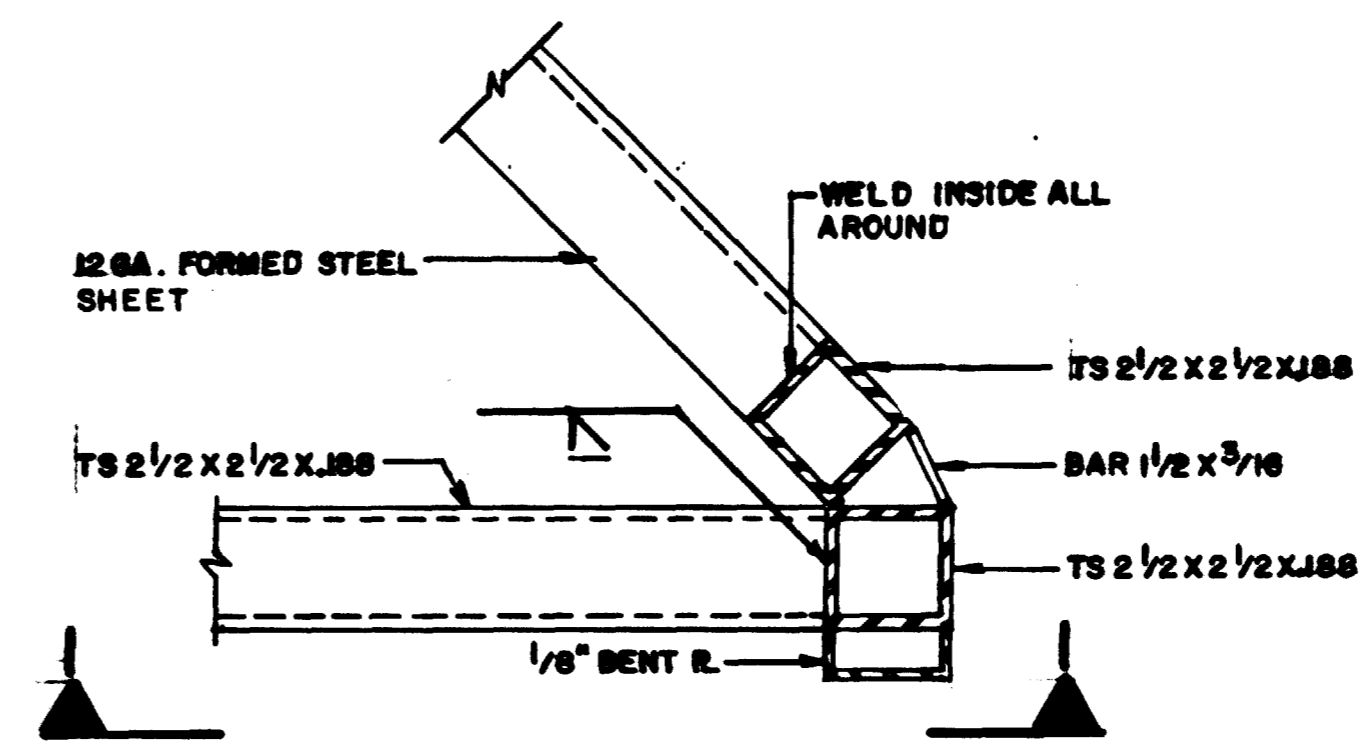
WASHINGTON METROPOLITAN
TRANSIT AUTHORITY
AS-BUILT CONDITION
FEB 03 1981



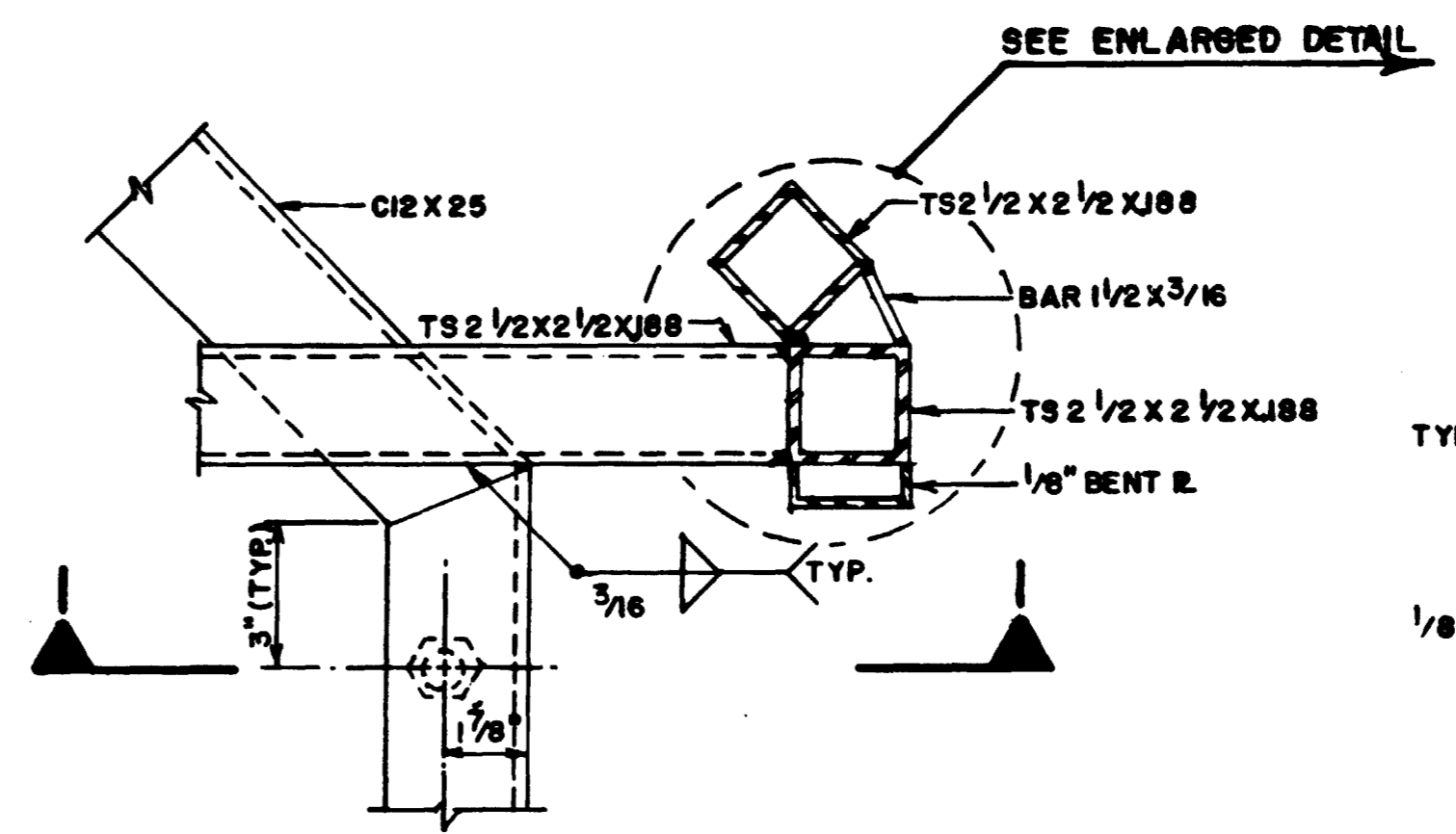
SECTION I (CONT.)



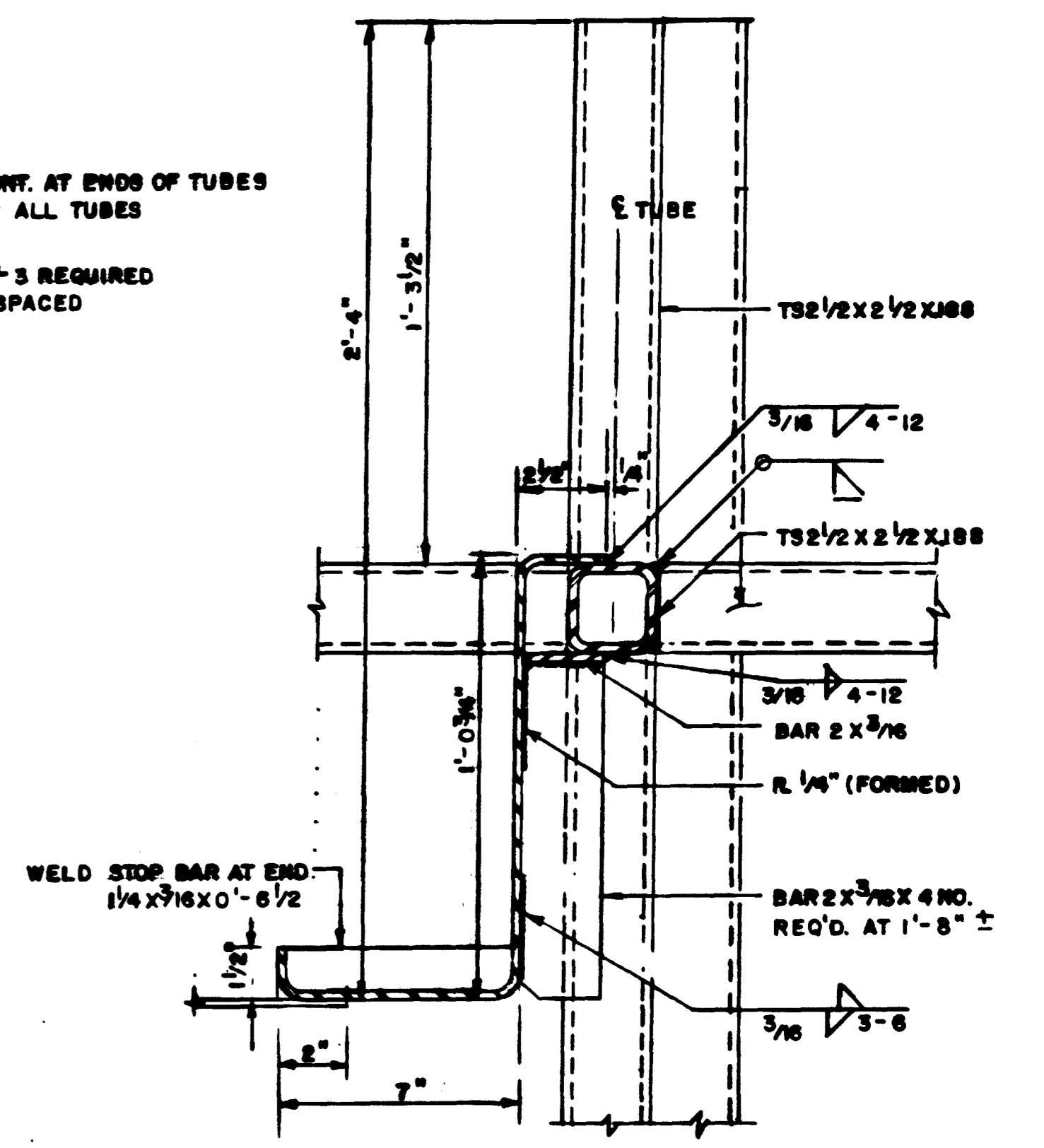
DETAIL "C"
S-1



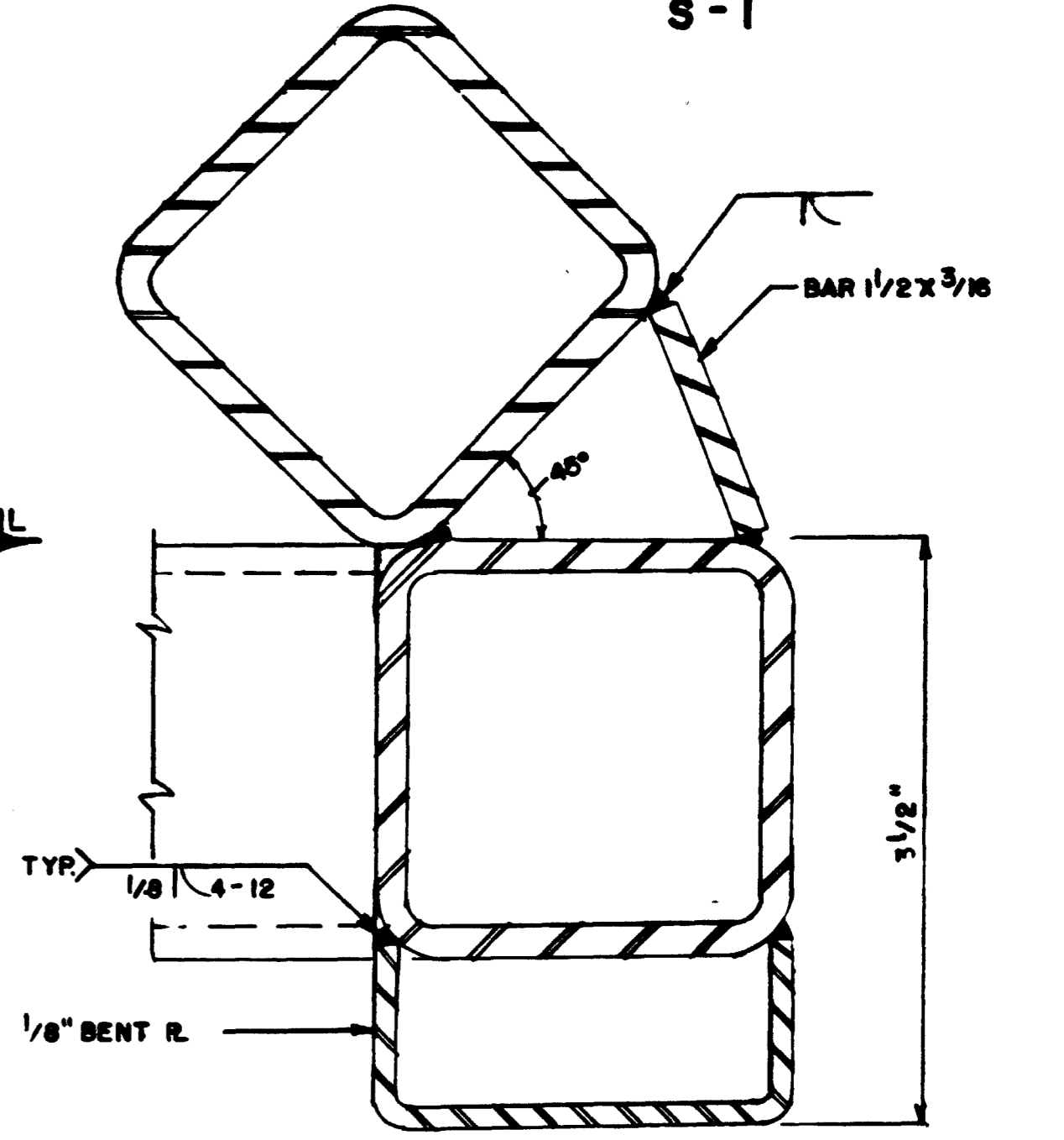
DETAIL "B"
S-1



DETAIL "A"
S-1

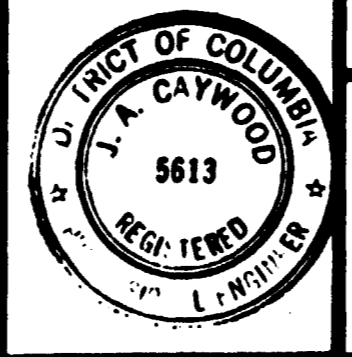


SECTION 2
S-1



DESIGNED	K. SINGH	4/76
DRAWN	L. SETTLES	4/76
CHECKED	R. BOCARSKI	4/76
APPROVED	6/7/81	4/76

REFERENCE DRAWINGS		REVISIONS		
NUMBER	DESCRIPTION	DATE	BY	DESCRIPTION



WASHINGTON METROPOLITAN AREA TRANSIT AUTHORITY

DE LEUW, CATHER & COMPANY
SECTION DESIGNER

DE LEUW, CATHER & COMPANY
GENERAL ENGINEERING CONSULTANT

HARRY WEESE & ASSOCIATES
GENERAL ARCHITECTURAL CONSULTANT

SUBMITTED *J. A. Caywood* APPROVED *J. A. Caywood*

KIOSK
SECTIONS AND DETAILS

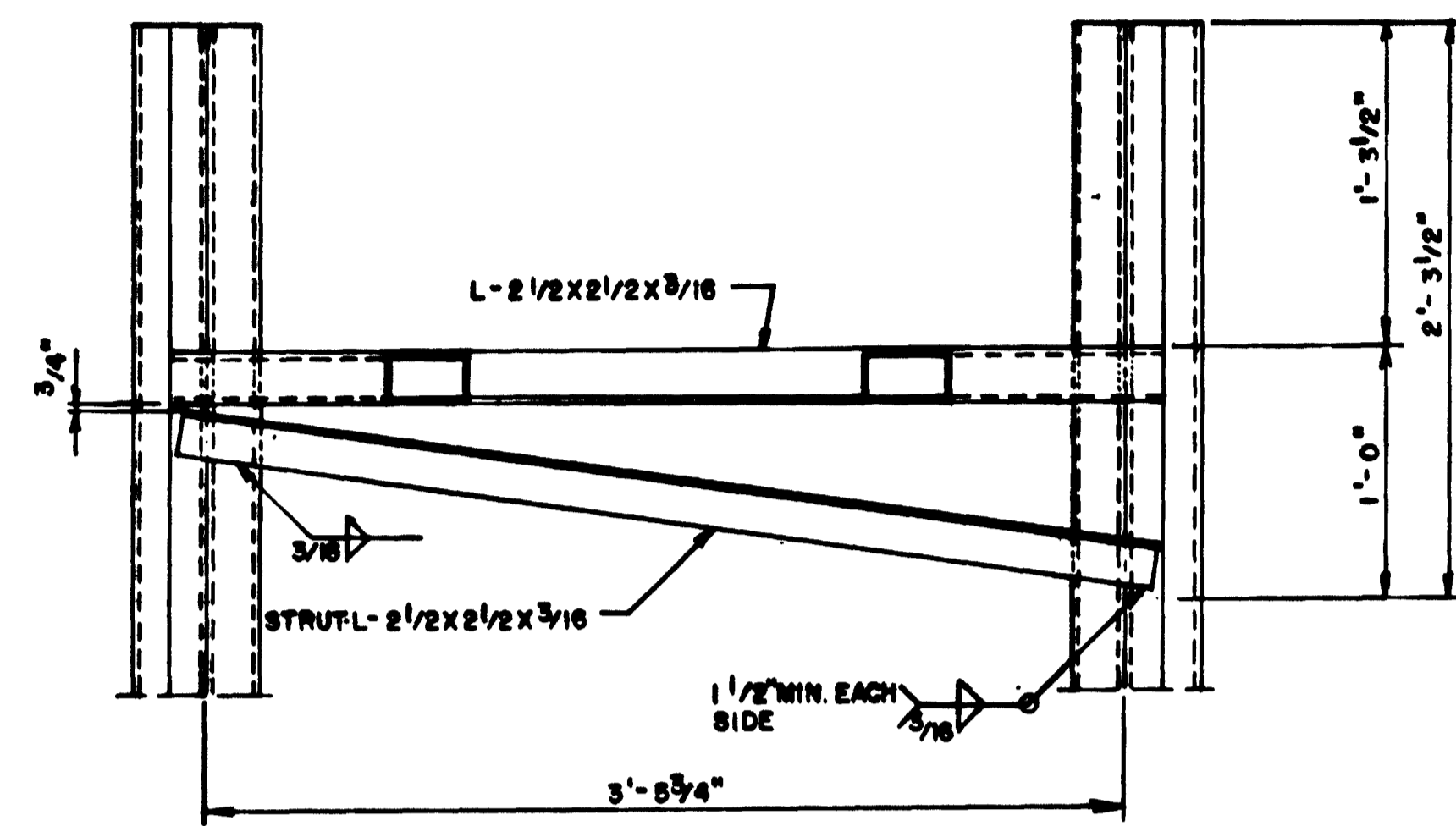
SCALE: 1/4" = ONE INCH

DRAWING NO. **K1-S-2** M-256-18

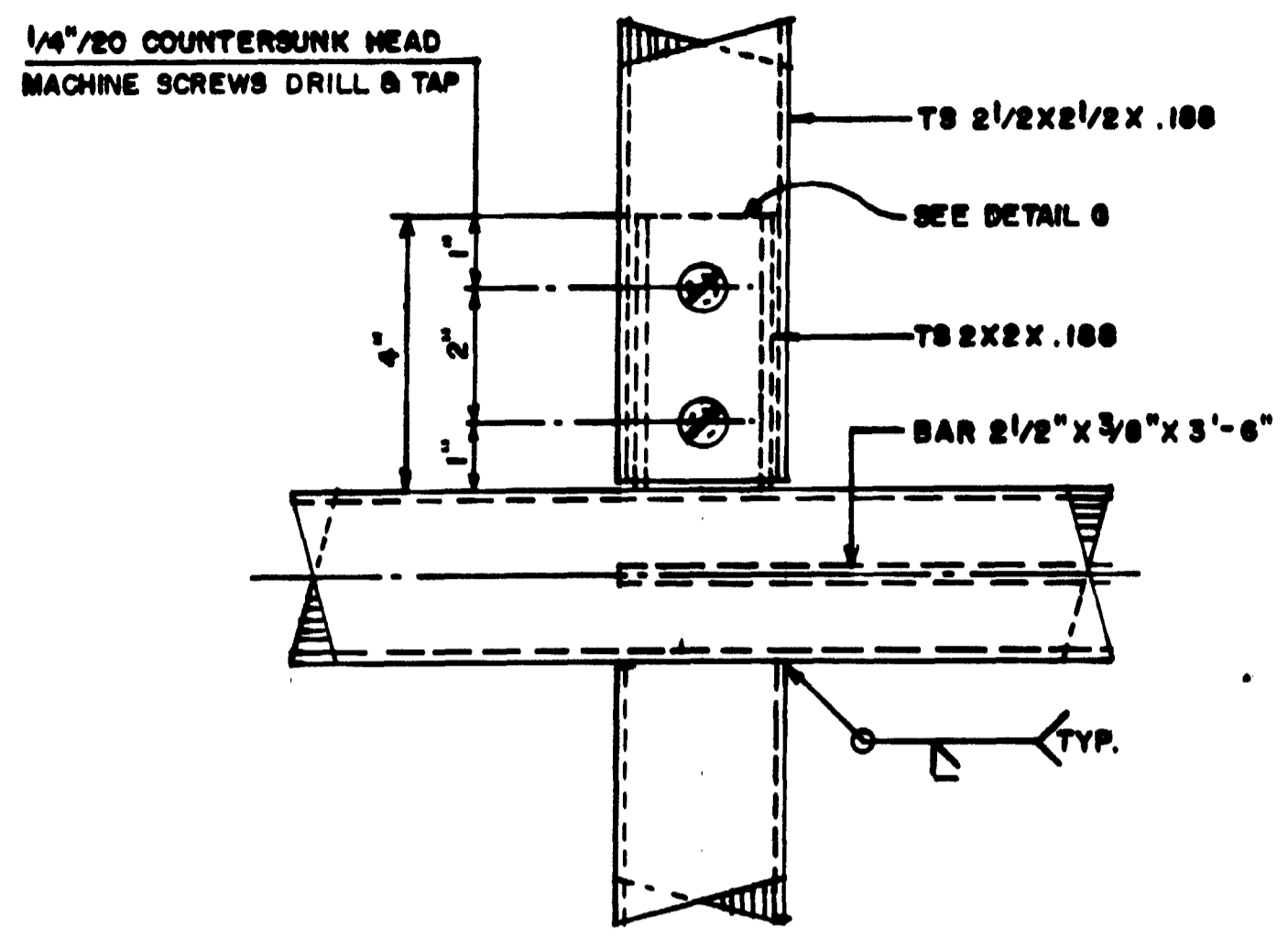
GENERAL STRUCTURAL NOTES

- SUBJECT TO APPROVAL OF THE ENGINEER, LOCATIONS OF ANCHOR BOLTS FOR BASE CHANNEL C 12 X 25 MAY BE MODIFIED TO ADJUST FOR FIELD CONDITIONS.
- CONTRACTOR SHALL PROVIDE "CUT OUTS" IN FLOOR PANELS, SIDE PANELS AND ROOF PANELS AS MAY BE REQUIRED TO ACCOMMODATE OTHERS FACILITIES ASSOCIATED WITH KIOSKS. DETAILS OF "CUT OUTS" SHALL BE WORKED OUT IN COORDINATION WITH OTHERS.
- THE LIMITS OF EXISTING FINISHED FLOORS AT KIOSKS LOCATIONS AS SHOWN ON PLANS, ARE APPROXIMATE. CONTRACTOR SHALL VERIFY IN FIELD EXISTING CONDITIONS. IN CASE OF CONFLICT WITH "AS SHOWN" CONDITIONS, CONTRACTOR SHALL DO ALL WORK AND FURNISH ALL NECESSARY MATERIALS TO MAKE FINISH FLOOR FIT OUTLINE OF KIOSK BASE, AS APPROVED BY THE ENGINEER.

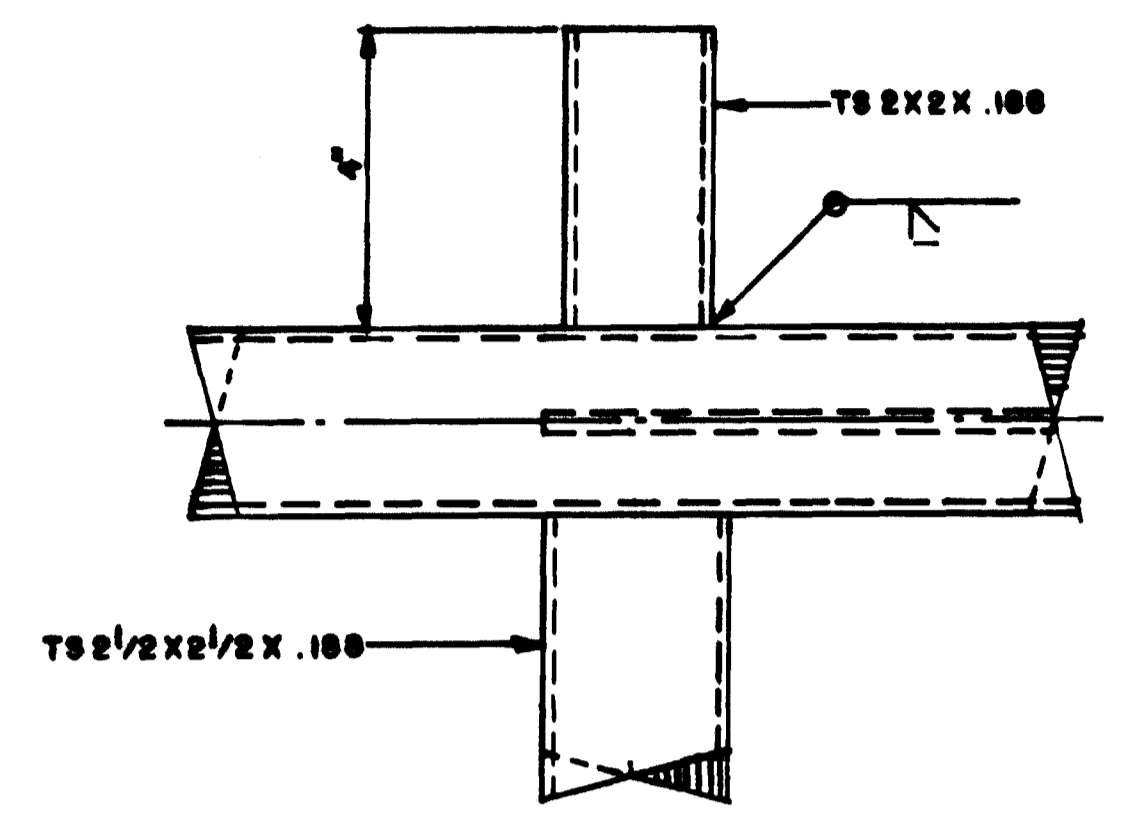
THIS DOES NOT APPLY TO STATIONS WHERE FINISHED TILE FLOORS HAVE NOT BEEN COMPLETED AT KIOSK LOCATIONS.
- ALL CORNERS AT BENDS BETWEEN FREE EDGES OF SHEET METAL SHALL BE SEALED AND FINISHED AS PER APPROVAL OF THE ENGINEER.
- WORK STRUCTURAL DWGS. IN CONJUNCTION WITH ARCHITECTURAL, MECHANICAL, ELECTRICAL AND SYSTEMS DWGS.
- FOR IDENTIFICATIONS OF TYPE A, AND TYPE B KIOSKS, SEE ARCHITECTURAL DWGS.
- SEE DWG. TC-1 FOR DETAILS OF CUTOUTS FOR COMMUNICATION AND POWER CABLING.
- ALL CORNERS OF 3/16" TOP PLATE OF FLOOR AND ROOF PANELS SHALL BE SECURELY HE.D DOWN WITH TWO 1/4" #20 MACHINE SCREWS AT 4" O.C. EACH SIDE. PROVIDE INTERMEDIATE SCREWS AT 8" O.C. (MAX.).
- CUT OUTS IN ROOF PANELS FOR AIR CONDITIONING DUCTS SHALL BE LINED WITH 1/2" JOINT FILLER.
- DESIGN LOADS
 - KIOSK FLOOR
 - LIVE LOAD 70 PSF
 - ASSUMED EQUIPMENT DEAD LOAD 75 PSF
 - KIOSK ROOF
 - LIVE LOAD 50 PSF OR TWO CONCENTRATED LIVE LOAD 200 LBS. EACH APPLIED @ 2'-6" OR MORE APART.
 - WEIGHT OF AIR CONDITIONING UNIT NOT TO EXCEED 450 LBS.
 - HORIZONTAL LIVE LOAD 30 PSF.



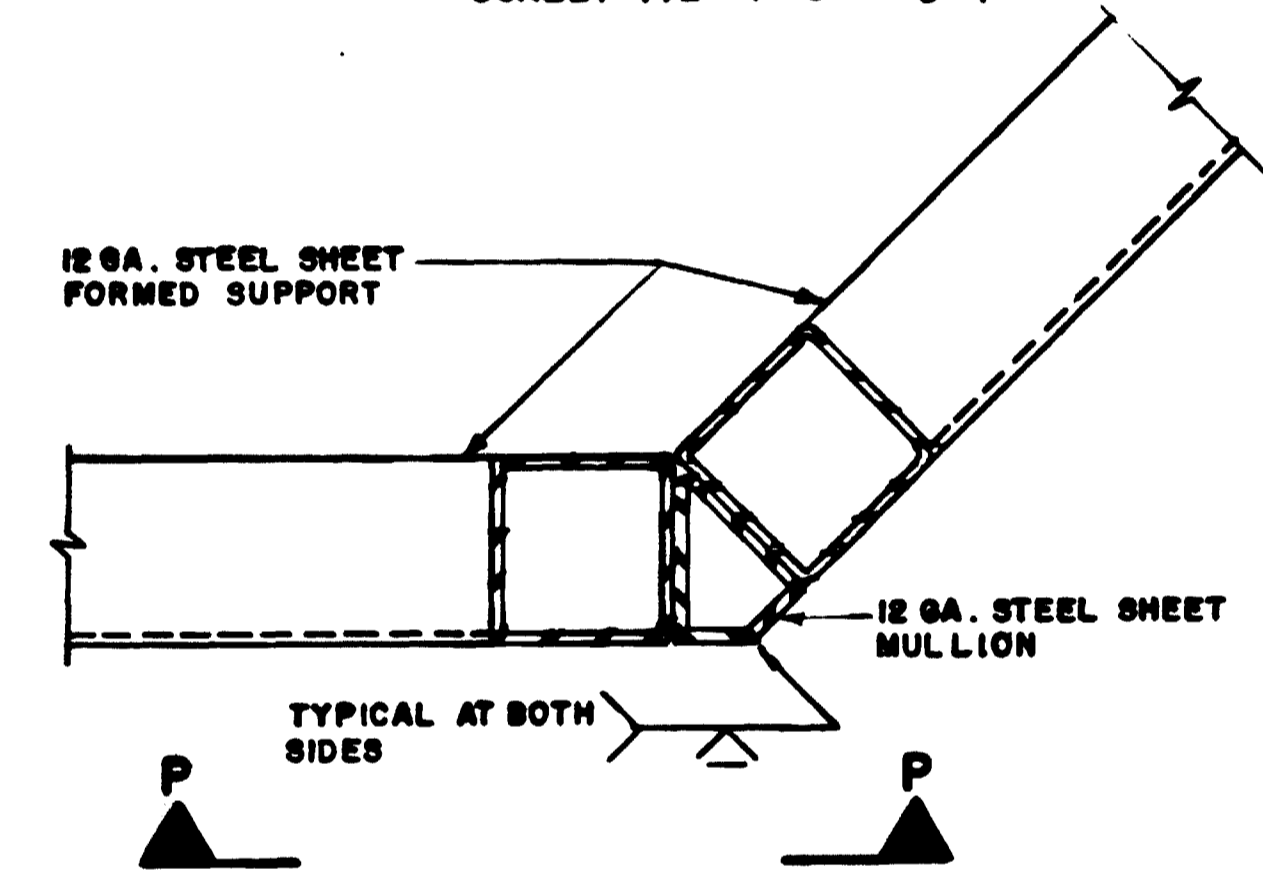
SECTION 9
SCALE: 1/2"=1'-0" S-1



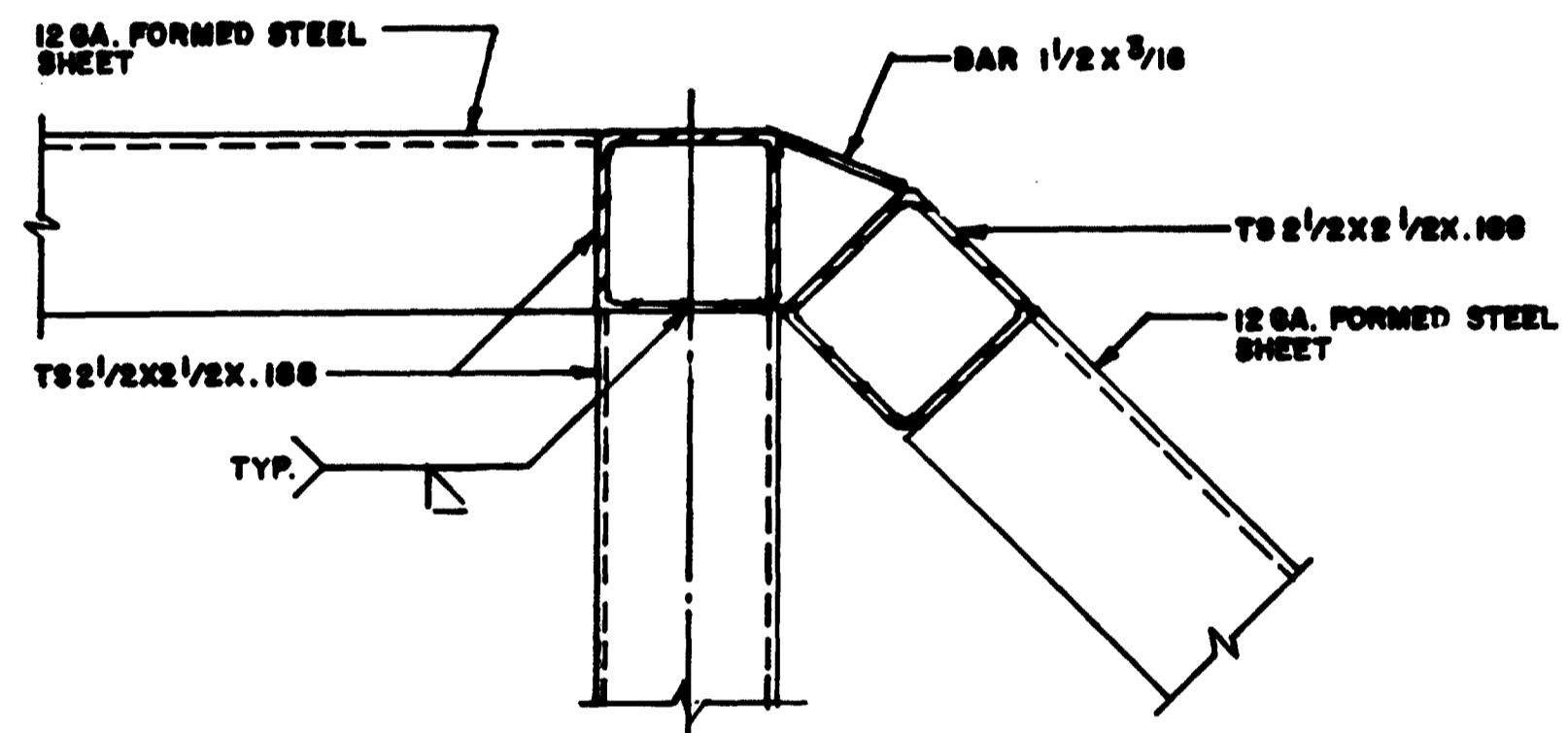
DETAIL F
SCALE: 3/8"=1" S-1



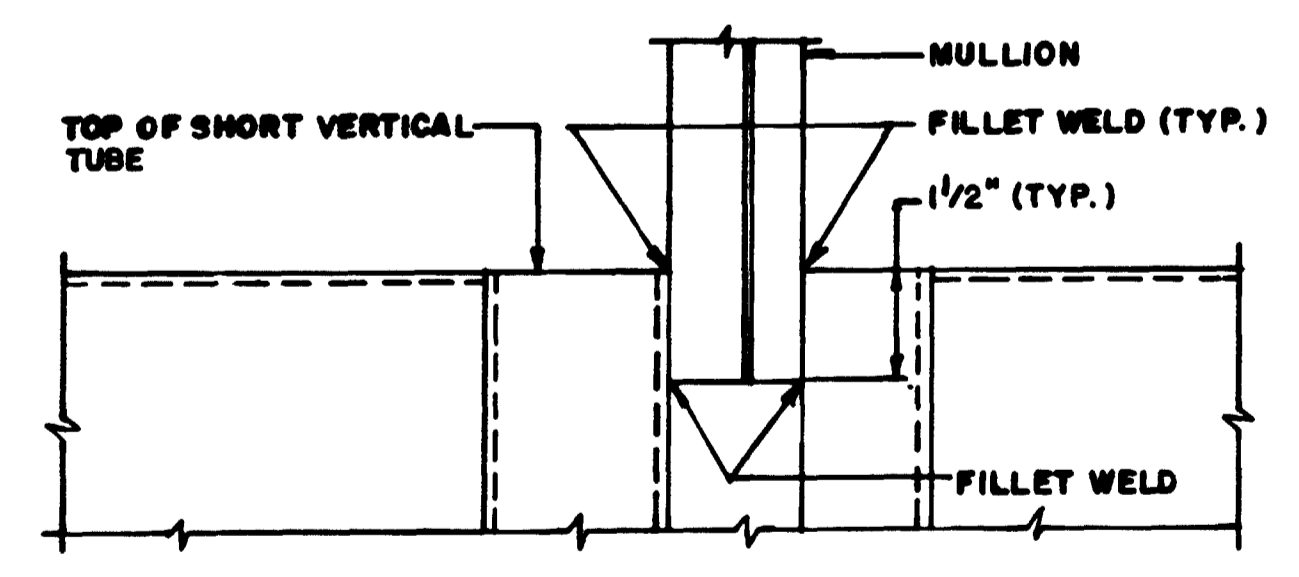
DETAIL G
SCALE: 3/8"=1" S-1



SECTION A-A
SCALE: 3/8"=1" S-1

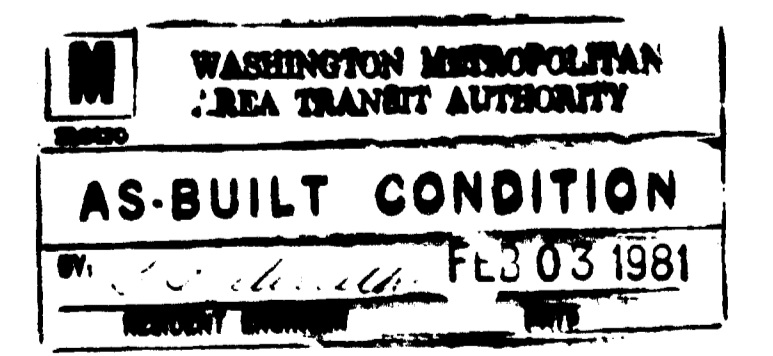


DETAIL D
SCALE: 3/8"=1" S-1



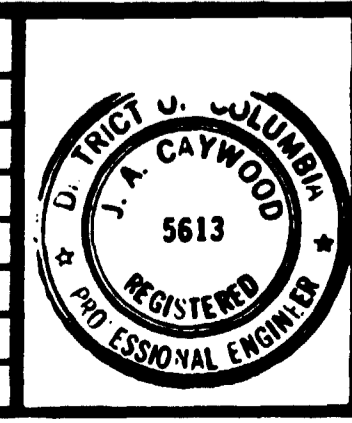
VIEW P-P

NOTE: DETAIL SIMILAR AT TOP END OF MULLION.



DESIGNED	K. SIMON	4/76
DRAWN	L. SETTLES	4/76
CHECKED	R. MOCARSKI	4/76
APPROVED	<i>[Signature]</i>	4/76

REFERENCE DRAWINGS		REVISIONS		
NUMBER	DESCRIPTION	DATE	BY	DESCRIPTION



WASHINGTON METROPOLITAN AREA TRANSIT AUTHORITY

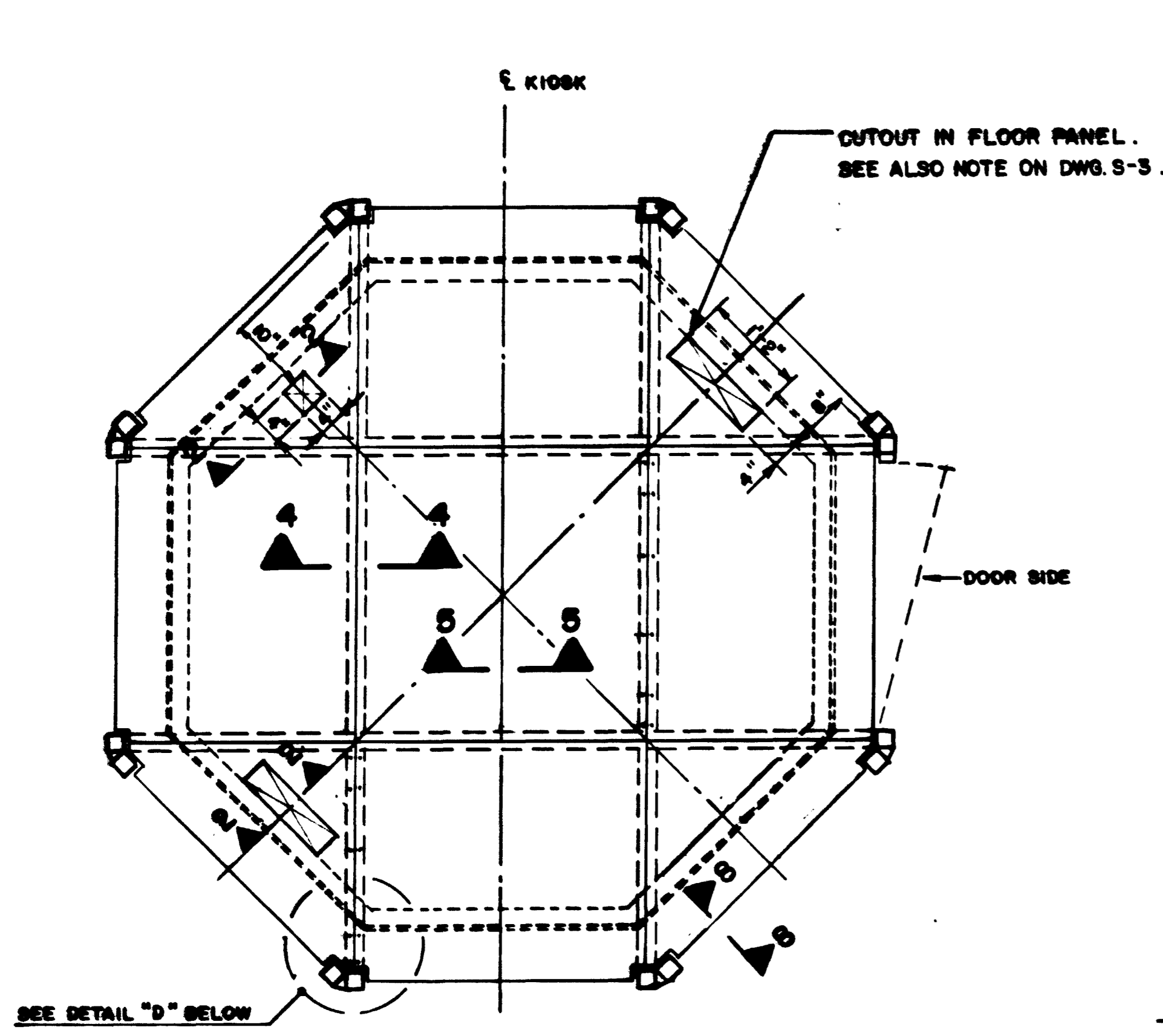
DE LEUW, CATHER & COMPANY
SECTION DESIGNER

DE LEUW, CATHER & COMPANY
GENERAL ENGINEERING CONSULTANT

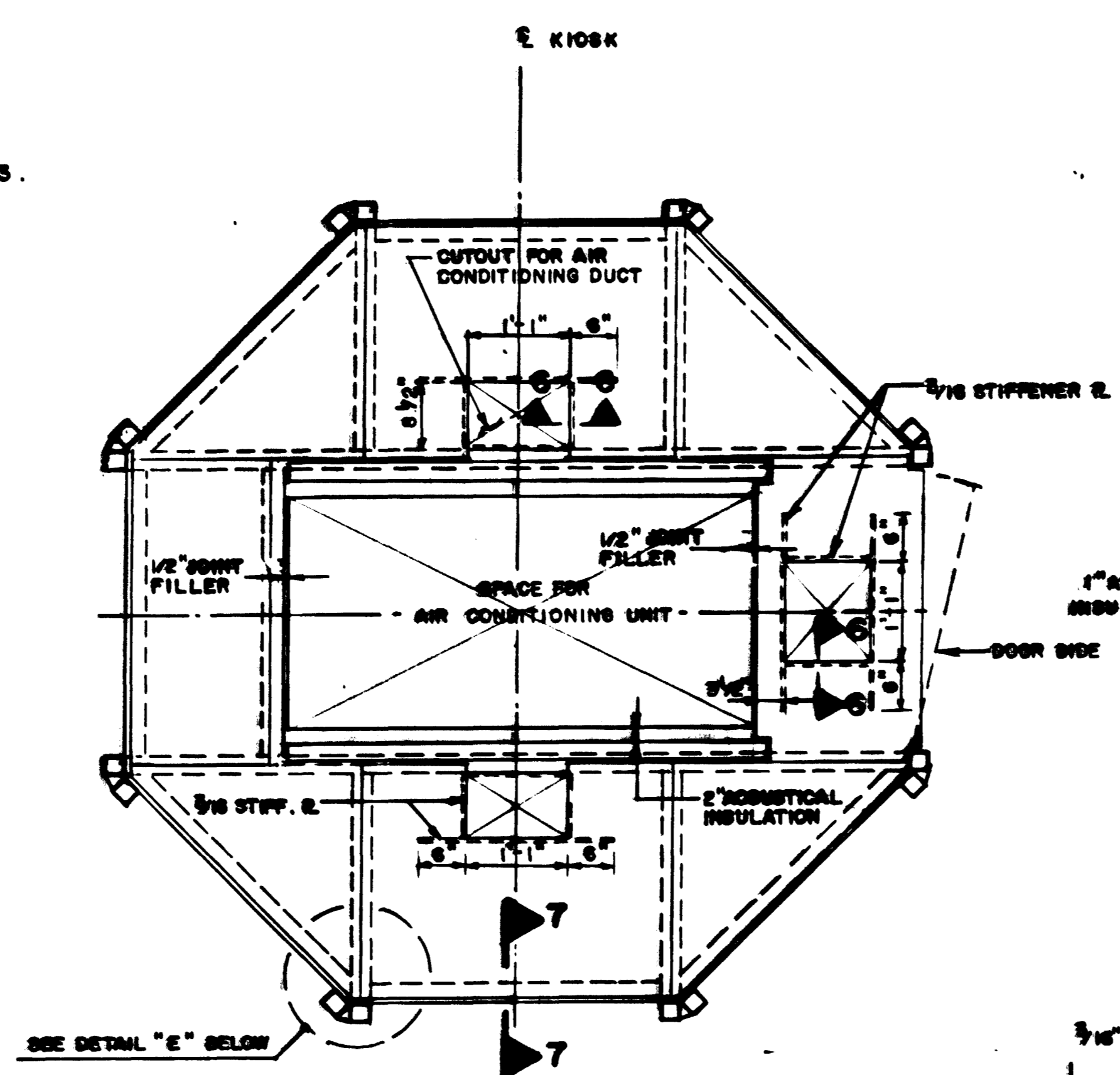
HARRY WEESE & ASSOCIATES
GENERAL ARCHITECTURAL CONSULTANT

SUBMITTED *[Signature]* APPROVED *[Signature]*

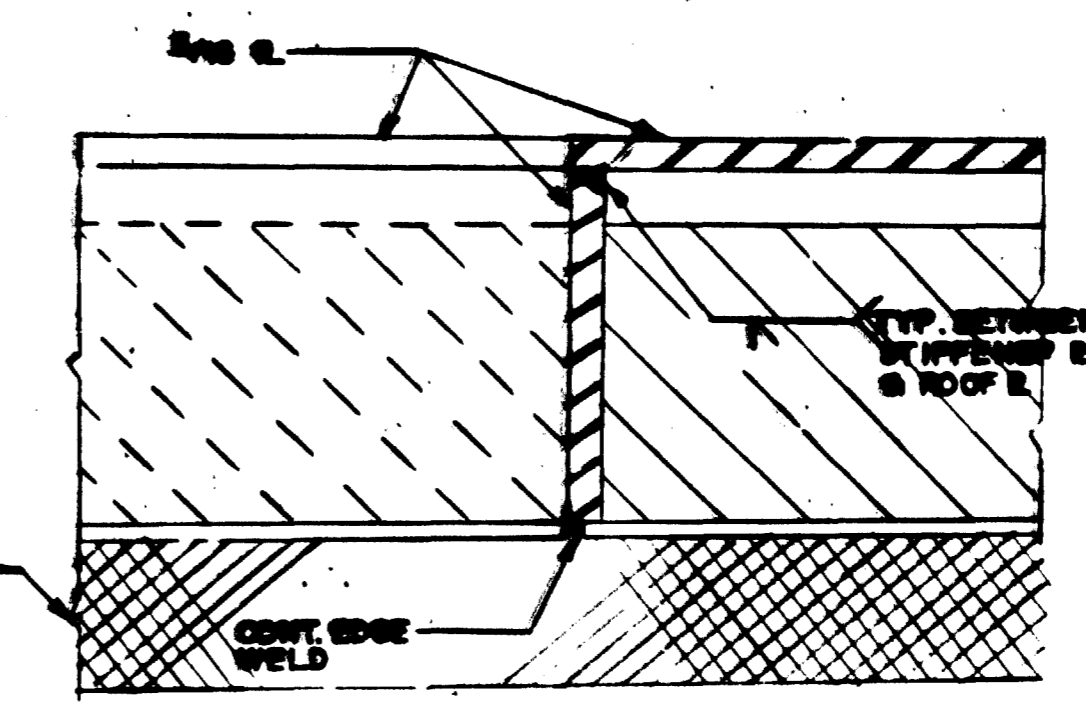
KIOSK		STRUCTURAL NOTES AND SECTIONS	
SCALE	AS NOTED	DRAWING NO.	
		KI -S-3	M-256-19



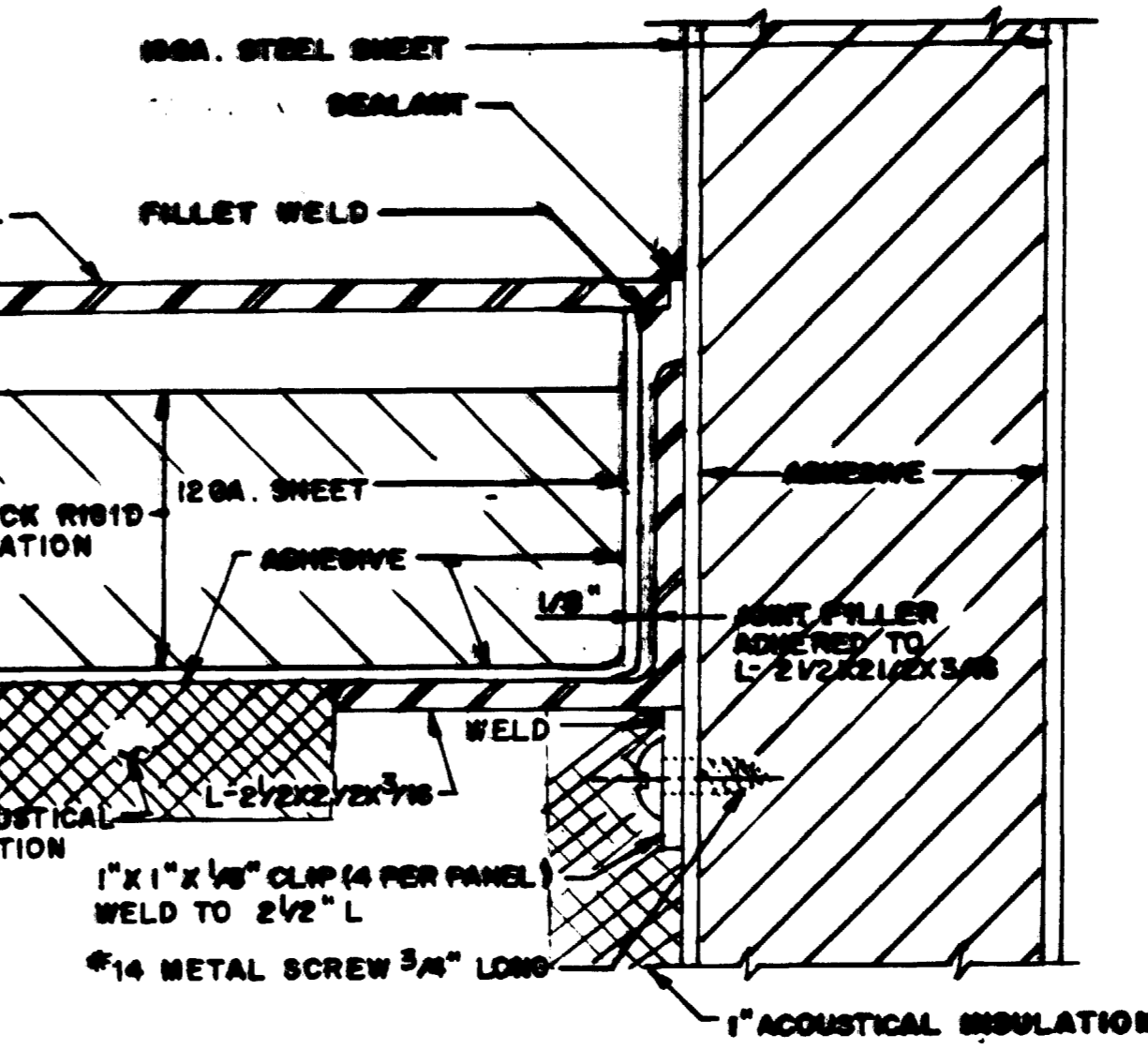
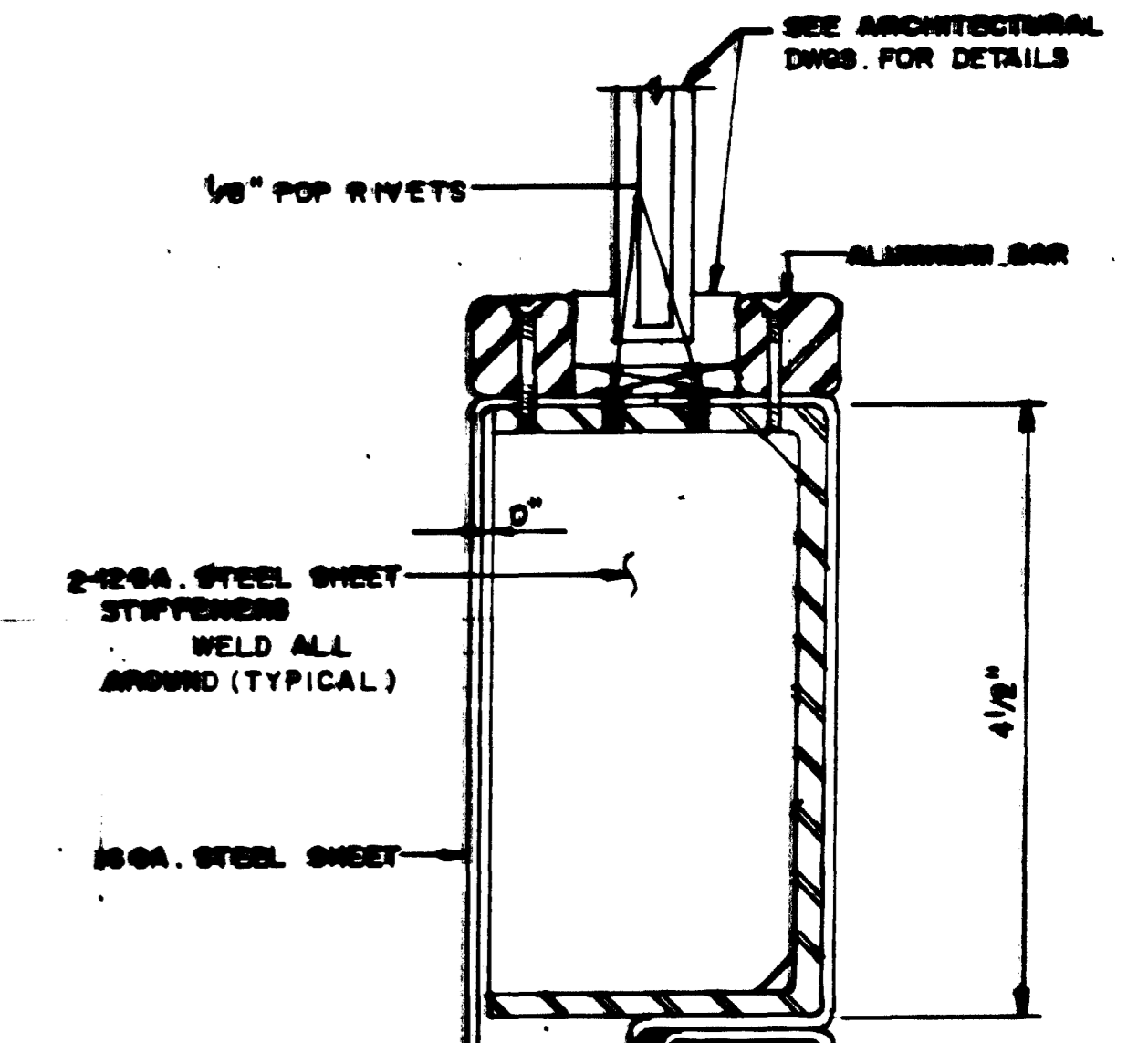
FLOOR PLAN
SCALE: 3/4" = 1'-0"



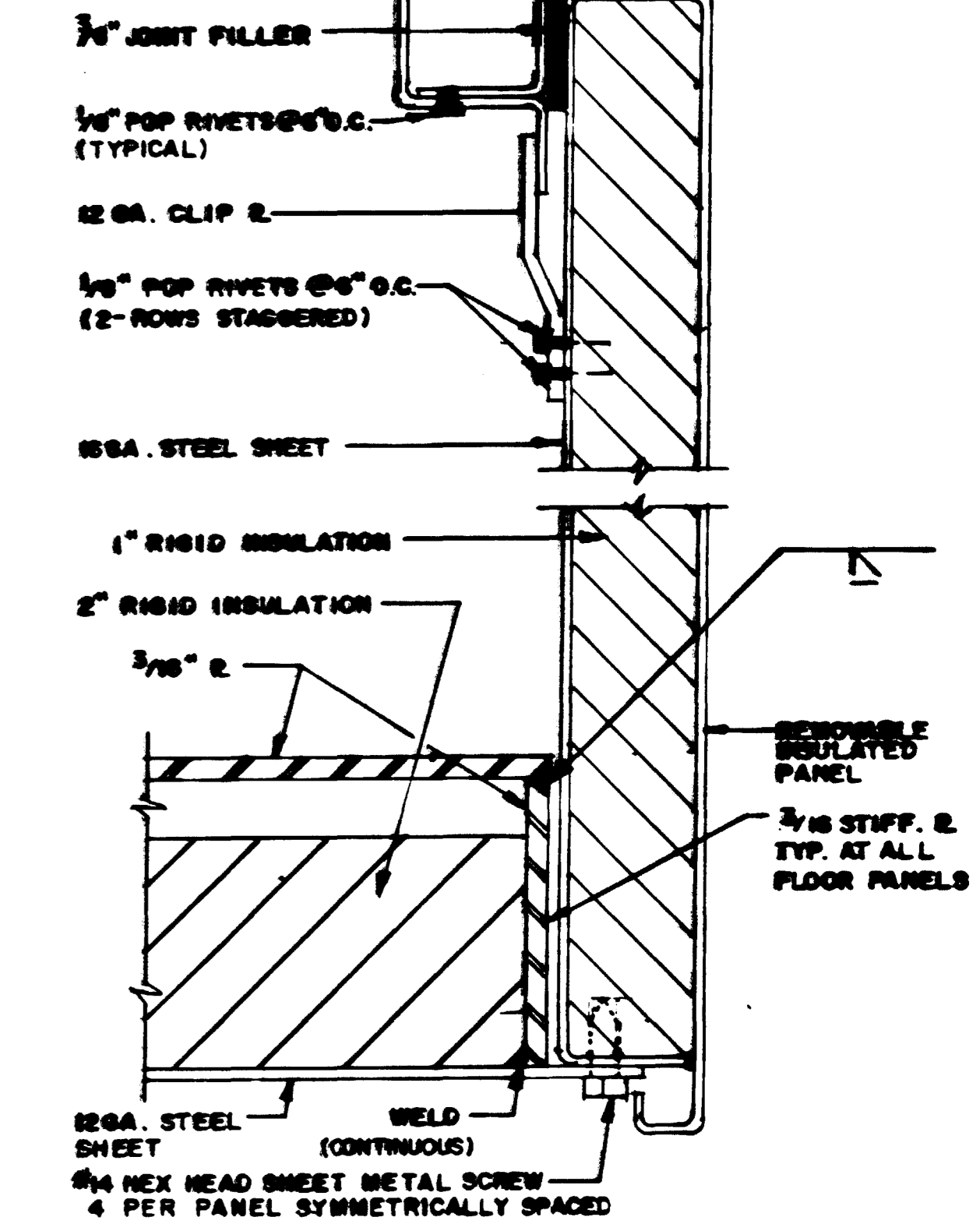
ROOF PLAN
SCALE: 3/4" = 1'-0"



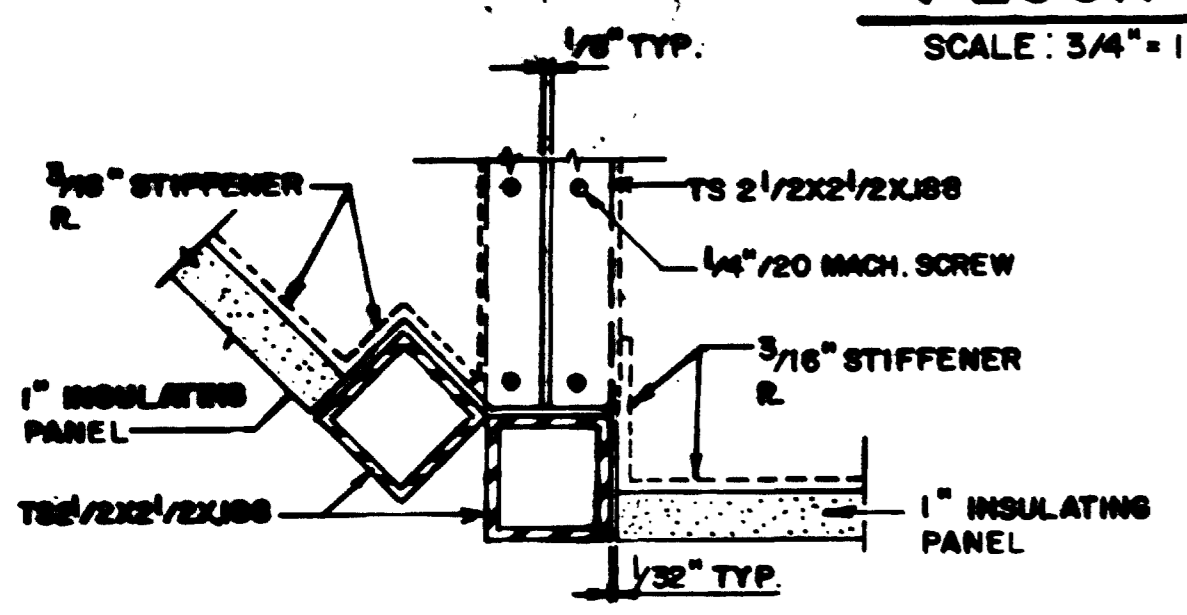
SECTION 6
SCALE: 3/4" = 1"



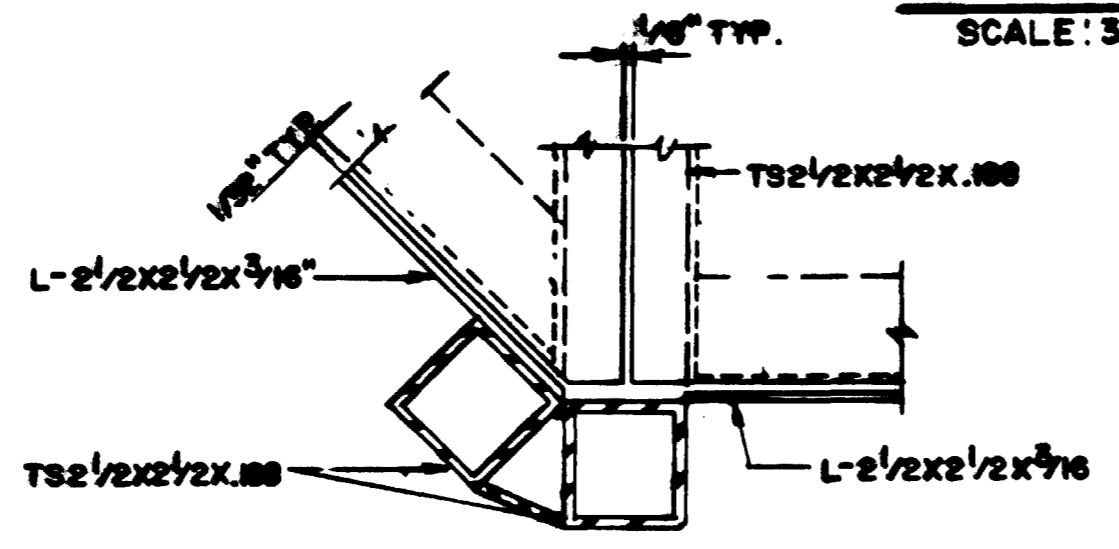
SECTION 7
SCALE: 3/4" = 1"



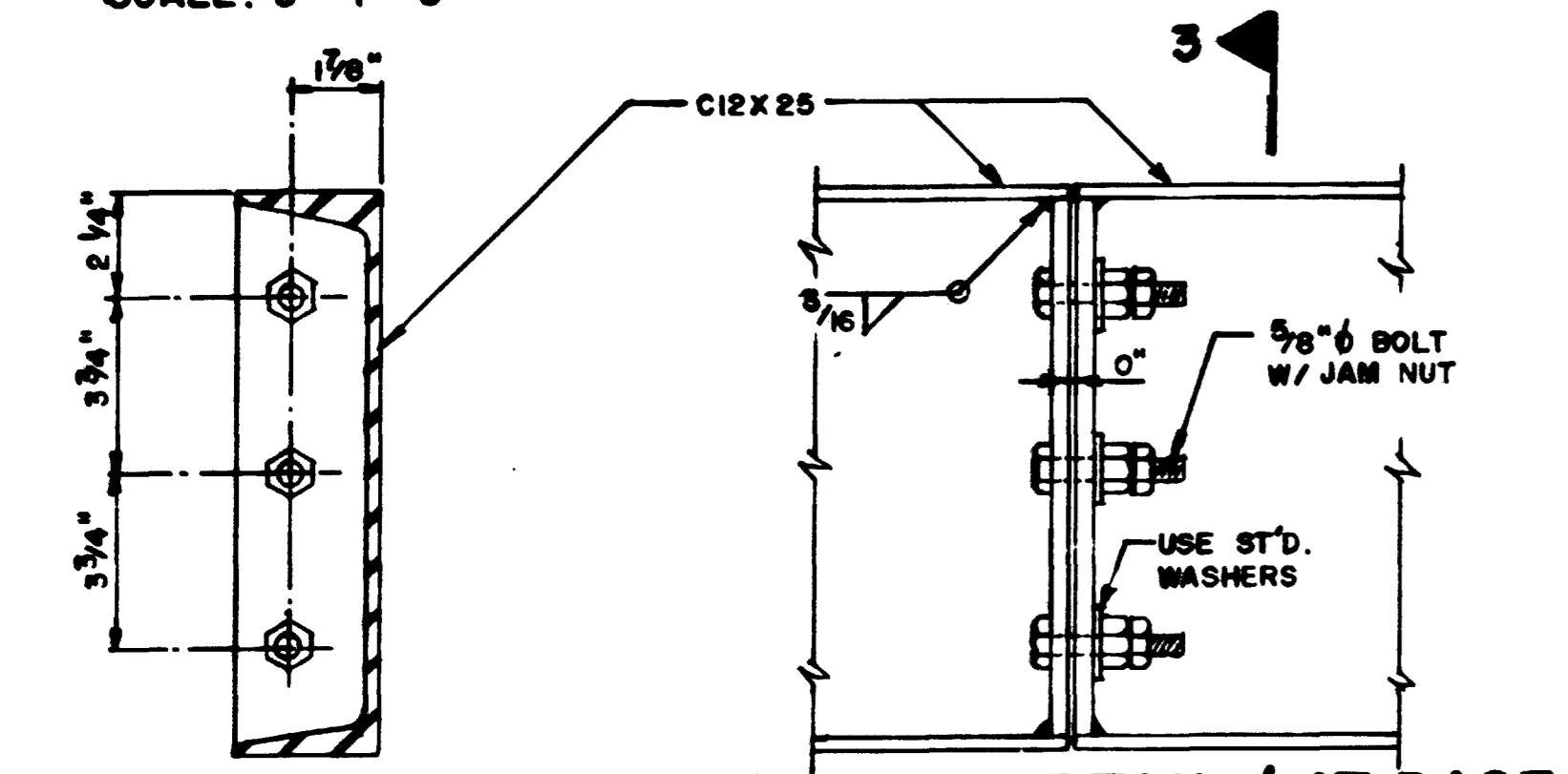
SECTION 8
SCALE: 3/4" = 1"



DETAIL "D"
SCALE: 3" = 1'-0"

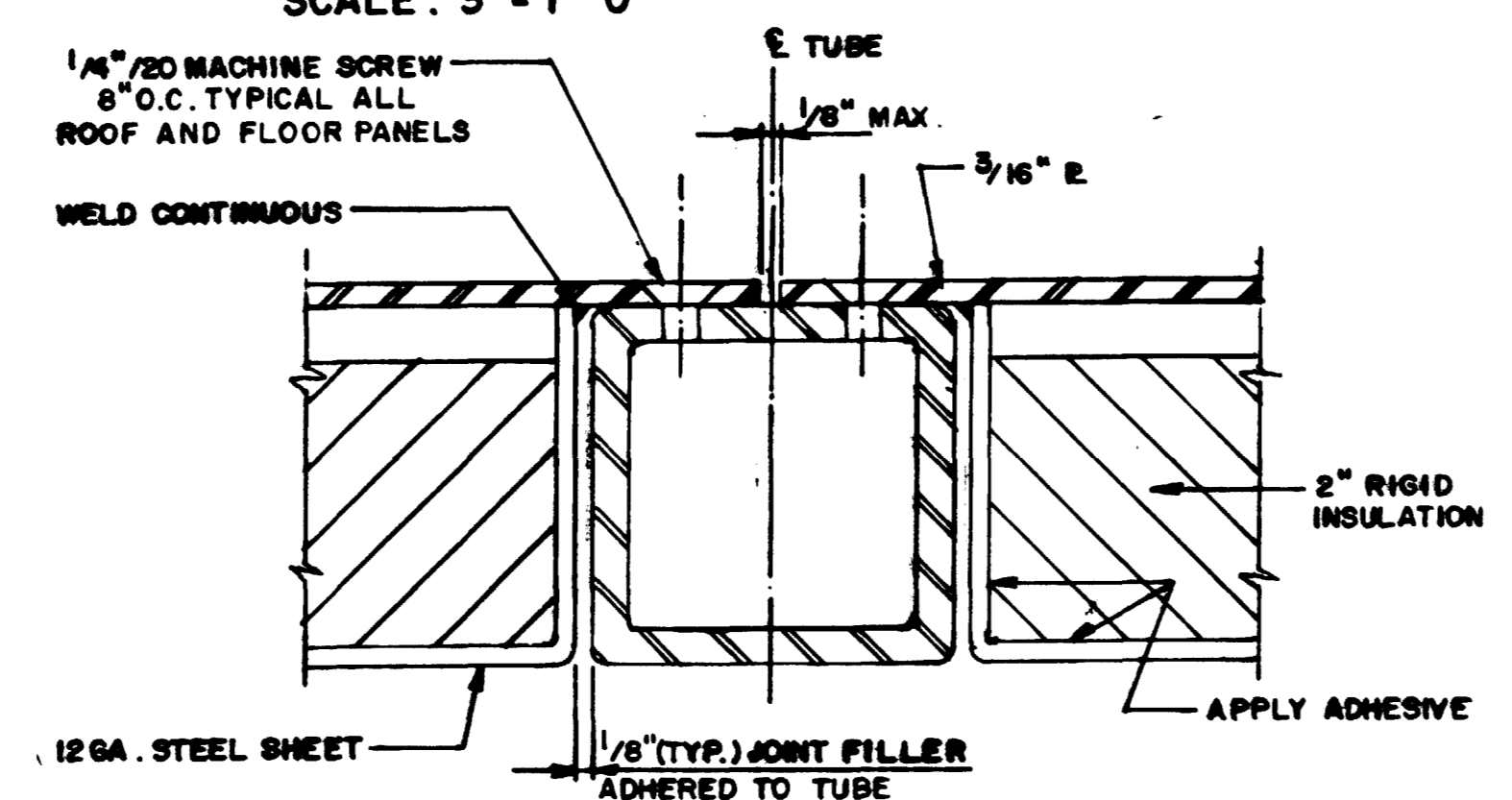


DETAIL "E"
SCALE: 3" = 1'-0"

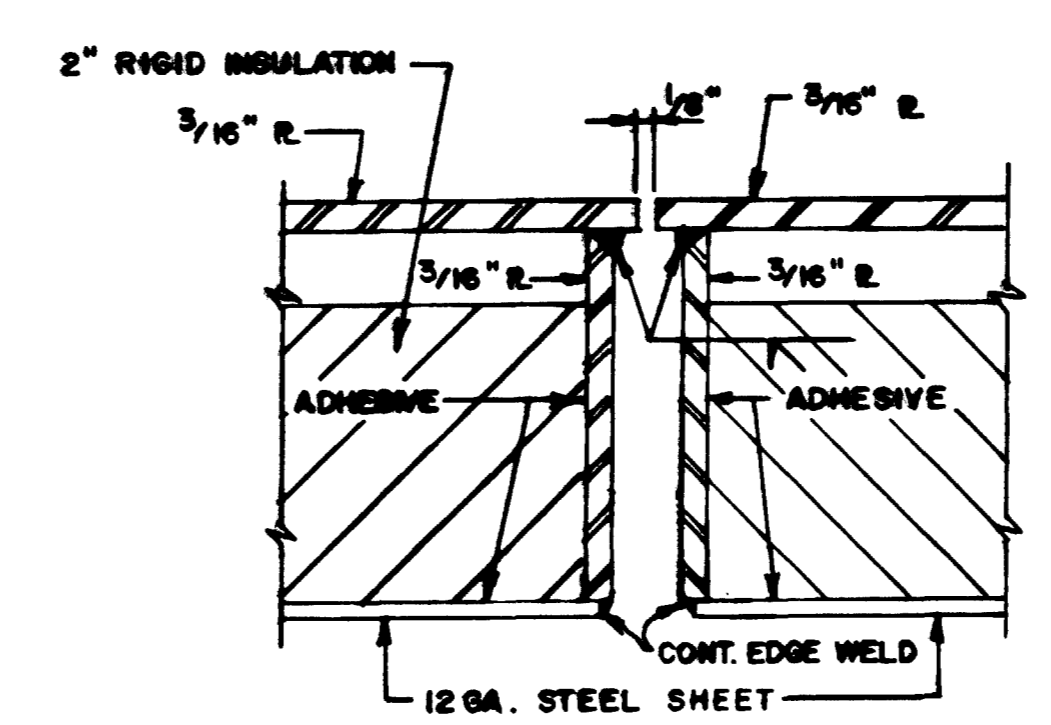


SECTION 3
SCALE: 3" = 1'-0"

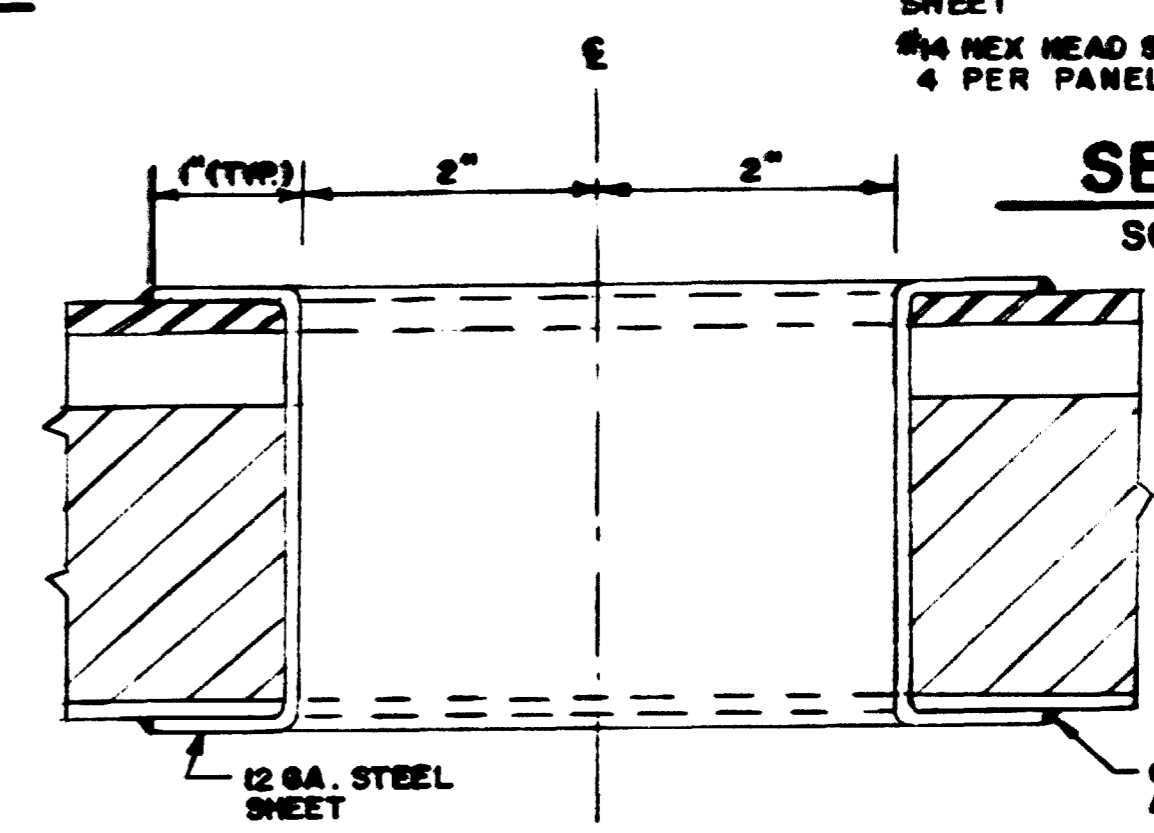
SPLICE DETAIL AT BASE CHANNEL 3
SCALE: 3" = 1'-0"



SECTION 4
SCALE: 3/4" = 1"



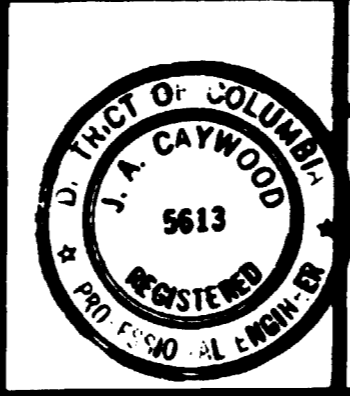
SECTION 5
SCALE: 3/4" = 1"



SECTION 2-2
SCALE: 3/4" = 1"

WASHINGTON METROPOLITAN AREA TRANSIT AUTHORITY
AS-BUILT CONDITION
FEB 03 1981

DESIGNED	DATE	NUMBER	DESCRIPTION	DATE	BY	DESCRIPTION
K. SINGH	4/76					
DRAWN	DATE					
L. SETTLES	4/76					
CHECKED	DATE					
R. BOCARSKI	4/76					
APPROVED	DATE					



WASHINGTON METROPOLITAN AREA TRANSIT AUTHORITY
DE LEUW, CATHER & COMPANY
SECTION DESIGNER
HARRY WEESE & ASSOCIATES
GENERAL ARCHITECTURAL CONSULTANT

KIOSK
FLOOR & ROOF PLANS AND SECTIONS
SCALE: 1/4" = 1'-0" & AS NOTED
DRAWING NO. K1-S-4
M-256-20